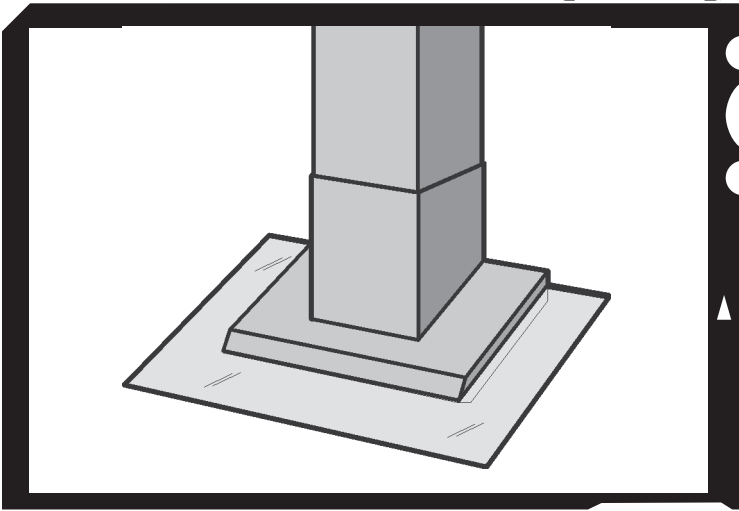


best[®]
by **BROAN**[®]



Model WC26E

For use with Best By Broan Exterior

Blower model EB6, EB9, EB12 and EB15;

Or In-Line Blower model ILB3, ILB6, ILB9 or ILB11

ENGLISH.....	2
FRANÇAIS.....	15
ESPAÑOL.....	28

READ AND SAVE THESE INSTRUCTIONS

 **INTENDED FOR DOMESTIC COOKING ONLY** 

  **WARNING**

TO REDUCE THE RISK OF FIRE, ELECTRIC SHOCK, OR INJURY TO PERSONS, OBSERVE THE FOLLOWING:

1. Use this unit only in the manner intended by the manufacturer. If you have questions, contact the manufacturer at the address or telephone number listed in the warranty.
2. Before servicing or cleaning unit, switch power off at service panel and lock service panel to prevent power from being switched on accidentally. When the service disconnecting means cannot be locked, securely fasten a prominent warning device, such as a tag, to the service panel.
3. Installation work and electrical wiring must be done by a qualified person(s) in accordance with all applicable codes and standards, including fire-rated construction codes and standards.
4. Sufficient air is needed for proper combustion and exhausting of gases through the flue (chimney) of fuel burning equipment to prevent backdrafting. Follow the heating equipment manufacturer's guidelines and safety standards such as those published by the National Fire Protection Association (NFPA), and the American Society for Heating, Refrigeration and Air Conditioning Engineers (ASHRAE), and the local code authorities.
5. When cutting or drilling into wall or ceiling, do not damage electrical wiring and other hidden utilities.
6. Ducted fans must always be vented to the outdoors.
7. Do not use this unit with any separate solid-state speed control device.
8. To reduce the risk of fire, use only metal ductwork.
9. This unit must be grounded.

TO REDUCE THE RISK OF A RANGE TOP GREASE FIRE:

- A. Never leave surface units unattended at high settings. Boilovers cause smoking and greasy spillovers that may ignite. Heat oils slowly on low or medium settings.
- B. Always turn hood ON when cooking at high heat or when flambeing food (i.e. Crepes Suzette, Cherries Jubilee, Peppercorn Beef Flambe').
- C. Clean ventilating fans frequently. Grease should not be allowed to accumulate on fan or filter.
- D. Use proper pan size. Always use cookware appropriate for the size of the surface element.

  **WARNING**

TO REDUCE THE RISK OF INJURY TO PERSONS IN THE EVENT OF A RANGE TOP GREASE FIRE, OBSERVE THE FOLLOWING:*

1. **SMOTHER FLAMES** with a close-fitting lid, cookie sheet, or metal tray, then turn off the burner. **BE CAREFUL TO PREVENT BURNS.** If the flames do not go out immediately, **EVACUATE AND CALL THE FIRE DEPARTMENT.**
2. **NEVER PICK UP A FLAMING PAN** - You may be burned.
3. **DO NOT USE WATER**, including wet dishcloths or towels - violent steam explosion will result.
4. Use an extinguisher **ONLY** if:
 - A. You know you have a Class ABC extinguisher and you already know how to operate it.
 - B. The fire is small and contained in the area where it started.
 - C. The fire department is being called.
 - D. You can fight the fire with your back to an exit.

* Based on "Kitchen Fire Safety Tips" published by NFPA.

CAUTION

1. To reduce risk of fire and to properly exhaust air, be sure to duct air outside. Do not vent exhaust air into spaces within walls or ceilings or into attics, crawl spaces, or garages.
2. Take care when using cleaning agents or detergents.
3. Avoid using food products that produce flames under the Range Hood.
4. For general ventilating use only. Do not use to exhaust hazardous or explosive materials and vapors.
5. To avoid motor bearing damage and noisy and/or unbalanced impellers, keep drywall spray, construction dust, etc. off power unit.
6. Your hood motor has a thermal overload which will automatically shut off the motor if it becomes overheated. The motor will restart when it cools down. If the motor continues to shut off and restart, have the hood serviced.
7. For best capture of cooking impurities, the bottom of the hood should be a minimum of 22" and a maximum of 28" above the cooking surface. See "Install Mounting Bracket" section for mounting restrictions.
8. Two installers are recommended because of the large size and weight of this hood.
9. This product is equipped with a thermostat which may start blower automatically. To reduce the risk of injury and to prevent power from being switched on accidentally, switch power off at service panel and lock or tag service panel.
10. Use with approved cord-connection kit only.
11. Please read specification label on product for further information and requirements.

**For use with Best by Broan Exterior
Blower model EB6, EB9, EB12 and EB15;
Or In-Line Blower model ILB3, ILB6, ILB9 or ILB11**

OPERATION

Controls

The hood is operated using the (5) push buttons located on the front edge of the hood.

The **Light switch** turns the halogen lights on and off. Push the light switch once to turn the lights ON - push a second time to turn the lights ON to a brighter level - push a third time to turn the lights OFF.

The **Glass switch** turns the glass light on. Push the glass switch once to turn the glass light ON - push a second time to turn the light OFF. Depress and hold the button to activate the automatic light sensor. When the LED Display indicates "A", the glass light will automatically light when the room becomes dark. Push a second time to deactivate the sensor and turn the light off.

The **Blower Off/Speed** switch turns the blower off and changes blower speed to four different speed settings: high, medium-high, medium-low and low speed. Depress and hold the button for 2 seconds to turn the blower off.

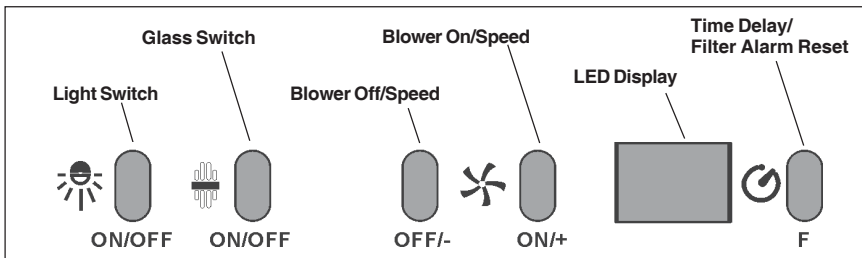
The **Blower On/Speed** switch turns the blower on to four different speed settings: Low, medium-low, medium-high and high speed.

The **LED Display**:

- Indicates blower speed selection from 1 (low speed) to 4 (high speed).
- Flashes the blower speed when the 10-minutes delay off has been activated.
- After 30 hours of operation, the center segment of the display blinks and remains lit, indicating that filters need to be cleaned.
- Indicates "A" when the Light Sensor is ON.

The **Time Delay** switch activates a delay off feature. When pushed, the blower will continue to operate at the current speed setting for 10-minutes before automatically turning itself off.

The **Filter Alarm Reset** switch is used to reset the 30-hour filter timer. After filters are cleaned or replaced, press this switch once to reset the filter clean alarm.



HEAT SENTRY™

Your hood is equipped with a HEAT SENTRY™ thermostat. This thermostat is a device that will turn on or speed up the blower if it senses excessive heat above the cooking surface.

1) If blower is OFF - it turns blower ON to HIGH speed.

2) If blower is ON at a lower speed setting - it turns blower up to HIGH speed.

When the temperature level drops to normal, the blower will return to its original setting.

WARNING

The HEAT SENTRY thermostat can start the blower even if the hood is turned OFF. When this occurs, it is impossible to turn the blower OFF with its switch. If you must stop the blower, do it from the main electrical panel.

HALOGEN BULBS

This range hood requires two halogen bulbs (Type T3, 12Volt, 20Watt Max, G-4 Base).

⚠ WARNING: Always switch off the electrical supply before carrying out any operation on the appliance.

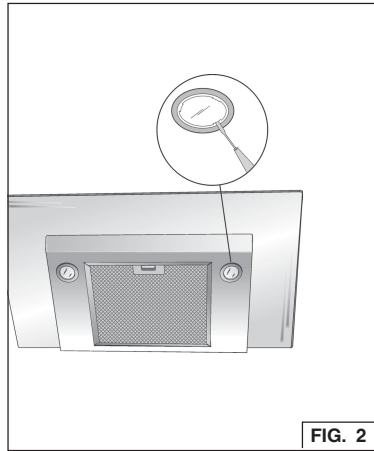
To change bulbs:

1. Open the cover by prying from the proper slots. Fig. 2.
2. Remove the bulb by pulling sideways. (DO NOT ROTATE).

⚠ CAUTION: Bulb may be hot.

3. Replace with Type T3, 12Volt, 20 Watt Max, G-4 Base halogen bulb. Do not touch replacement bulb with bare hands!

⚠ CAUTION: Use of bulbs greater than 20 watts will cause the fuse to open.



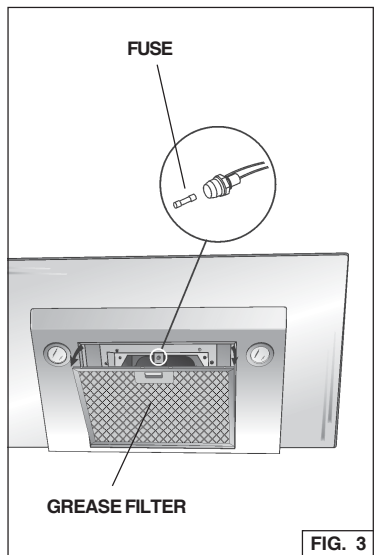
FUSE REPLACEMENT

IF LIGHTS FAIL TO OPERATE, DISCONNECT POWER AT THE SERVICE ENTRANCE. CHECK THE FUSE AND REPLACE IF NECESSARY.

1. Remove the grease filter.
2. Unscrew the cap from the fuse holder and remove the fuse.
3. Replace the fuse with the same size and amperage (5 x 20mm, 4 amp, 125 volt).

⚠ CAUTION: Use a fuse greater than 4 amps may damage the transformer.

4. Reinstall the fuse holder cap.
5. Reconnect power at the service entrance.



MAINTENANCE

Proper maintenance of the Range Hood will assure proper performance of the unit.

Grease Filter

The **grease filter** should be cleaned frequently. Use a warm detergent solution. Grease filter is dishwasher safe.

See "INSTALL FILTERS" section for removal and installation instructions.

Hood Cleaning

Stainless steel is one of the easiest materials to keep clean. Occasional care will help preserve its fine appearance.

Cleaning tips:

- Hot water with soap or detergent is all that is usually needed.
- Follow all cleaning by rinsing with clear water. Wipe dry with a clean, soft cloth to avoid water marks.
- For discolorations or deposits that persist, use a non-scratching household cleanser or stainless steel polishing powder with a little water and a soft cloth.
- For stubborn cases, use a plastic scouring pad or soft bristle brush together with cleanser and water. Rub lightly in direction of polishing lines or "grain" of the stainless finish. Avoid using too much pressure which may mar the surface.
- **DO NOT** allow deposits to remain for long periods of time.
- **DO NOT** use ordinary steel wool or steel brushes. Small bits of steel may adhere to the surface causing rust.
- **DO NOT** allow salt solutions, disinfectants, bleaches, or cleaning compounds to remain in contact with stainless steel for extended periods. Many of these compounds contain chemicals which may be harmful. Rinse with water after exposure and wipe dry with a clean cloth.

Painted surfaces should be cleaned with warm water and mild detergent only.

PREPARE THE HOOD

Unpack hood and check contents.

You should receive:

- 1 - Hood
- 1 - Decorative Flue Assembly
- 1 - Parts Bag (B080810747) containing:
 - 1 - Mounting Bracket
 - 1 - Discharge Collar
 - 1 - Flue Mounting Bracket
 - 8 - Mounting Screws (4.8 x 38mm Pan Head)
 - 6 - Mounting Screws (3.9 x 9.5mm Pan Head)
 - 2 - Mounting Screws (3.9 x 6mm Flat Head)
 - 8 - Drywall Anchors
 - 1 - Mounting Screws (2.9 x 9.5mm Pan Head)
- 1 - Installation Instructions
- 1 - Warranty Card

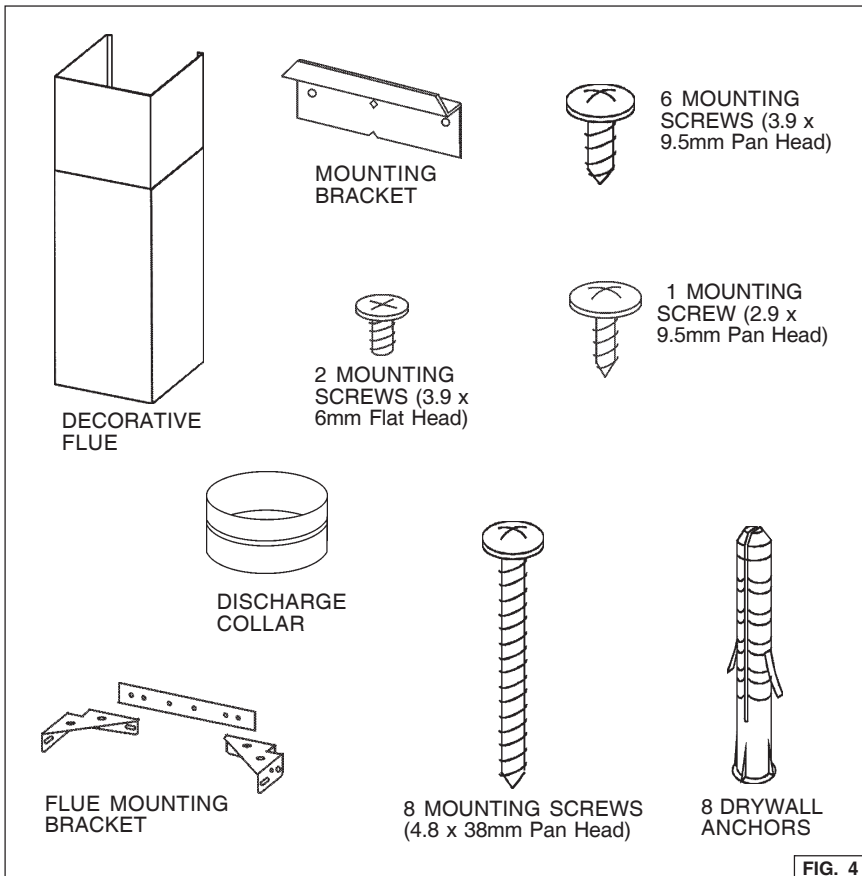


FIG. 4

EXTERIOR OR INLINE BLOWER SELECTION

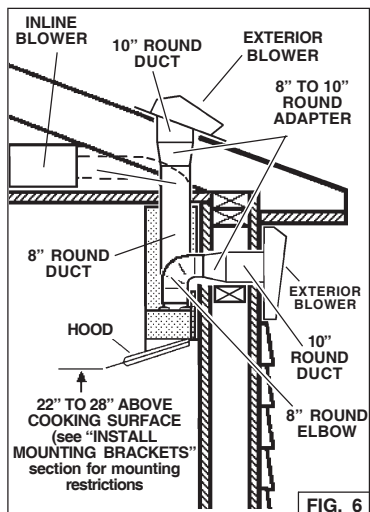
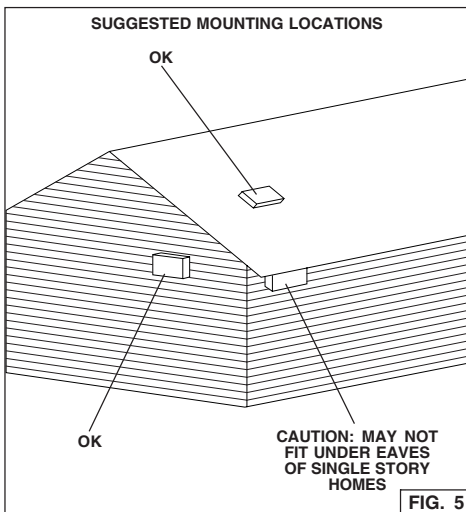
CAUTION: To reduce the risk of fire and electric shock, install this rangehood only with EB6, EB9, EB12 or EB15 Exterior Blowers, or In-Line Blower model ILB3, ILB6, ILB9 or ILB11.

The blower must be **UL** listed for Canadian and **U.S.** use, and evaluated for use with solid state speed control, rated 120V, 60 Hz, 6.0 A max.

INSTALL THE DUCTWORK

NOTE: To reduce the risk of fire, use only metal ductwork.

1. Choose the location where the exterior blower will be mounted. See illustrations below for mounting location suggestions and restrictions.
2. A straight, short duct run will allow the hood to perform most efficiently.
3. Long duct runs, elbows and transitions will reduce the performance of the hood. Use as few of them as possible. Larger ducting may be required for best performance with long duct runs.
4. After the exterior blower has been installed, connect round metal ductwork and work back towards the hood location. Use duct tape to seal joints between ductwork sections.
5. An 8" round to 10" round transition (Model 414) is required for exterior blowers. For best air performance, install the adapter as close to the range hood as possible.
6. Check In-Line blower instructions for required duct and transition size.



WIRING

⚠ CAUTION: All electrical wiring should be done by a qualified person (s) in accordance with all applicable codes and standards. This range hood must be properly grounded.

Do not turn power on at service panel until all wires have been connected.

Blower connection at hood:

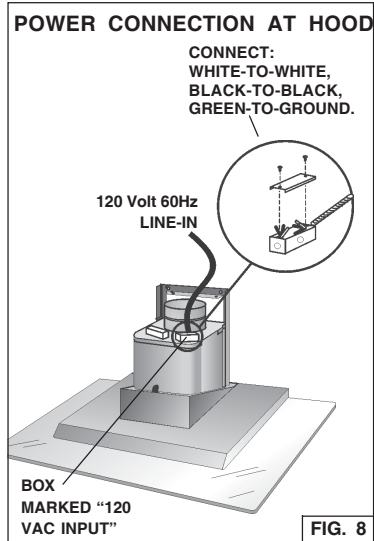
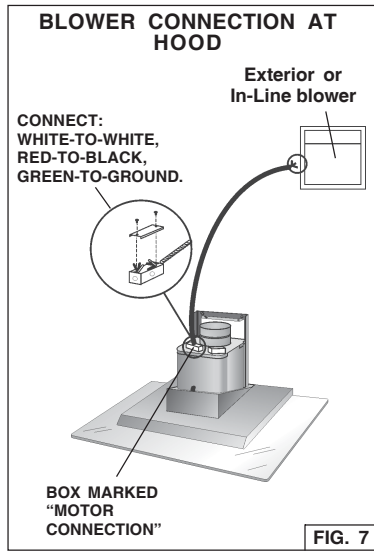
1. Run conductors (2-wire plus ground) from the blower to the hood's wiring box marked "motor connection". Fig. 7
2. Remove the cover from the wiring box and remove one knockout. Fig. 7
3. Secure the conduit to the wiring box through a conduit connector. Fig.7
4. Make electrical connections at the hood. Connect white-to-white, **red-to-black** and green-to-ground. Fig.7
5. Replace the wiring box cover and screws. Make sure wires are not pinched between the cover and box.

Exterior or In-Line blower connection:

1. Make electrical connections at the exterior or In-Line blower (see instructions provided with the blower).

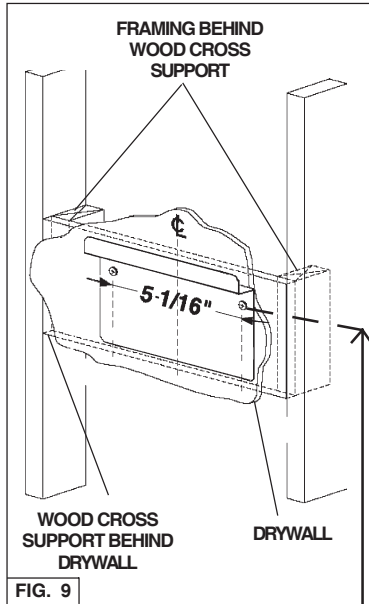
Power connection at hood:

1. Run supply conductors to the hood wiring box marked "120VAC input". Fig. 8
2. Remove the cover from the wiring box and remove one knockout. Fig. 8
3. Secure the conduit to the wiring box through a conduit connector. Fig. 8
4. Make electrical connections at the hood. Connect white-to-white, **black-to-black** and green-to-ground. Fig. 8
5. Replace the wiring box cover and screws. Make sure wires are not pinched between the cover and box.



INSTALL MOUNTING BRACKET

1. Construct wood wall **framing** that is flush with interior surface of wall studs. Fig. 9. Make sure:
 - a) the framing is centered over installation location.
 - b) the height of the framing will allow the **mounting bracket** to be secured to the framing within the dimensions shown.
2. **After wall surface is finished**, secure the mounting bracket to framing with (2) 4.8 x 38mm mounting screws. See chart below for mounting bracket location.



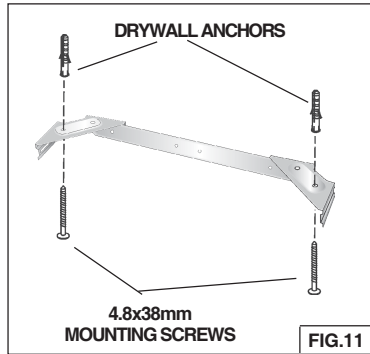
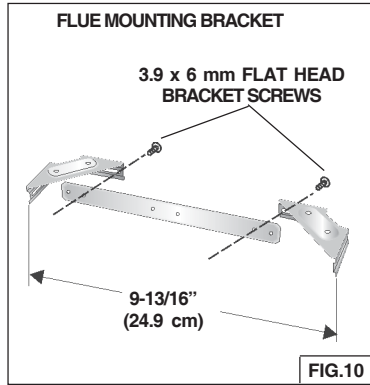
CEILING HEIGHT	HOOD DISTANCE ABOVE 36" HIGH COOK TOP (see note a)						
	22"	23"	24"	25"	26"	27"	28"
	MOUNTING BRACKET LOCATION ABOVE 36" HIGH COOK TOP						
8-FOOT	41-1/4"	42-1/4"	43-1/4"	44-1/4"			
9-FOOT	41-1/4"	42-1/4"	43-1/4"	44-1/4"	45-1/4"	46-1/4"	47-1/4"
10- FOOT (see note b)	41-1/4"	42-1/4"	43-1/4"	44-1/4"	45-1/4"	46-1/4"	47-1/4"

Notes:

- a. Minimum hood distance above cook top must not be less than 22".
A maximum of 28" above cook top is highly recommended for best capture of cooking impurities.
Distances over 28" are at the installer and user's discretion; and if ceiling height and flue length permits.
- b. Requires optional 10' flue extension, ducted model AEWC26xB.

INSTALL FLUE MOUNTING BRACKET

1. Assemble the flue mounting bracket, adjusting outside width as shown. Fig.10
2. **Carefully** center the mounting bracket directly over the range hood location.
3. Secure the bracket assembly to the ceiling using (2) 4.8x38mm mounting screws and drywall anchors (Fig. 11). Make sure the bracket is pushed into the corner, tight against the wall and centered over the hood.

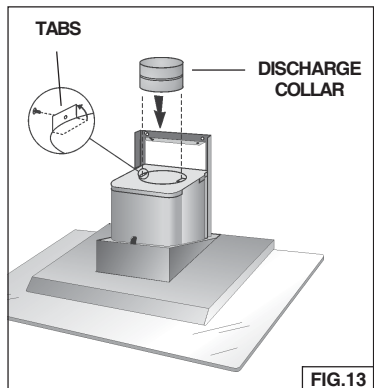
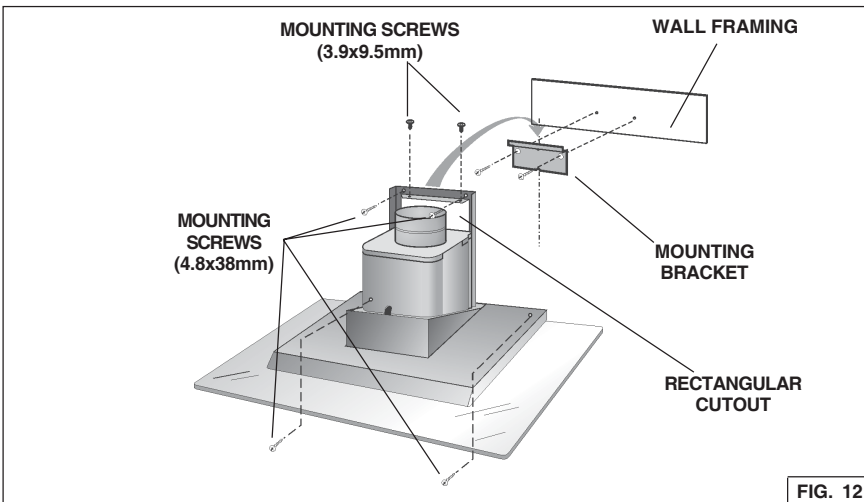


INSTALL THE HOOD

Note: On stainless steel hoods, carefully remove the plastic protective film from all exterior surfaces of the hood and decorative flues, prior to final installation.

Note: at least two people will be required to mount the hood.

1. Raise the hood into its mounting position.
2. Align the rectangular opening on the back of the hood with the wall-mounting bracket. Gently lower the hood until it securely engages the bracket. Fig. 12.
3. Level the hood with (2) 3.9x9.5mm mounting screws and secure with (4) 4.8x38mm mounting screws. Use drywall anchors provided if wall studs or framing are not available. Fig. 12.
4. Install the discharge collar inside the tabs and secure with (2) 3.9 x 9.5mm screws. Fig. 13.
5. Attach 8" round metal duct between the hood's discharge collar and duct that leads to the blower.
6. Tape all duct joints to make them secure and air tight.
7. Plug the power cord into the electric wall receptacle. Tuck excess cord behind the flue.



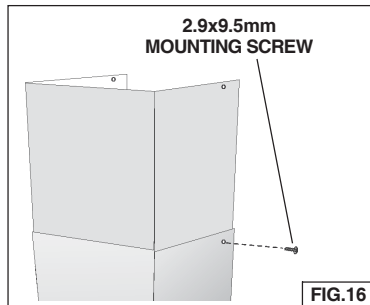
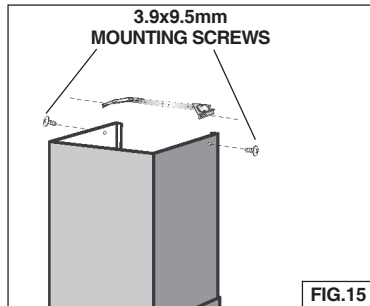
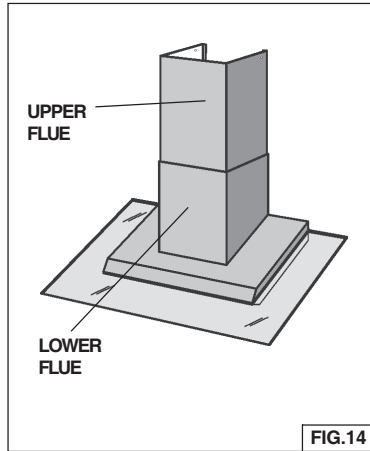
INSTALL THE HOOD, cont'd

- Carefully place the decorative flue on the hood. Fig. 14.

ROOMS WITH 10-FOOT CEILINGS

Rooms with 10-foot ceilings require flue extension model AEWC26xB, available from your local dealer.

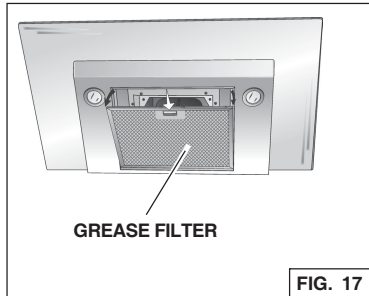
- Discard the upper flue supplied with the product. Replace it with the flue extension.
- Raise the upper flue until its holes align with holes in the flue mounting bracket (located on ceiling). Fig. 15.
- Secure the flue with (2) 3.9x9.5mm mounting screws. Fig. 15.
- Secure the lower flue to the upper flue with (1) 2.9x9.5mm mounting screw. Drill the hole (1/16" Diameter) in the upper flue. Fig. 16.



INSTALL FILTERS

1. To remove the GREASE filter, grip the latch tab and pull it down. This will disengage the filter from the hood. Tilt the filter downward and remove. Fig. 17.
2. To install the GREASE filter, align rear filter tabs with slots in the hood. Pull latch tab down, push filter into position and release. Make sure the filter is securely engaged after installation. Fig.17.

NOTE: Prior to use, remove protective film from the filter frame.



WARRANTY

BROAN ONE YEAR LIMITED WARRANTY

Broan warrants to the original consumer purchaser of its products that such products will be free from defects in materials or workmanship for a period of one year from the date of original purchase. **THERE ARE NO OTHER WARRANTIES, EXPRESS OR IMPLIED, INCLUDING, BUT NOT LIMITED TO, IMPLIED WARRANTIES OR MERCHANT ABILITY OR FITNESS FOR A PARTICULAR PURPOSE.**

During this one-year period, Broan will, at its option, repair or replace, without charge, any product or part which is found to be defective under normal use and service.

THIS WARRANTY DOES NOT EXTEND TO FLUORESCENT LAMP STARTERS, TUBES, HALOGEN AND INCANDESCENT BULBS. This warranty does not cover (a) normal maintenance and service or (b) any products or parts which have been subject to misuse, negligence, accident, improper maintenance or repair (other than by Broan), faulty installation or installation contrary to recommended installation instructions.

The duration of any implied warranty is limited to the one-year period as specified for the express warranty. Some states do not allow limitation on how long an implied warranty lasts, so the above limitation may not apply to you.

BROAN'S OBLIGATION TO REPAIR OR REPLACE, AT BROAN'S OPTION, SHALL BE THE PURCHASER'S SOLE AND EXCLUSIVE REMEDY UNDER THIS WARRANTY. BROAN SHALL NOT BE LIABLE FOR INCIDENTAL, CONSEQUENTIAL OR SPECIAL DAMAGES ARISING OUT OF OR IN CONNECTION WITH PRODUCT USE OR PERFORMANCE. Some states do not allow the exclusion or limitation of incidental or consequential damages, so the above limitation or exclusion may not apply to you.

This warranty gives you specific legal rights, and you may also have other rights, which vary from state to state. This warranty supersedes all prior warranties.

To qualify for warranty service, you must (a) notify Broan at the address stated below or telephone: 1-800-637-1453, (b) give the model number and part identification and (c) describe the nature of any defect in the product or part. At the time of requesting warranty service, you must present evidence of the original purchase date.

BEST BY BROAN, P.O. Box 140 Hartford, Wisconsin 53027

LISEZ ET CONSERVEZ CES INSTRUCTIONS

 **SEULEMENT POUR UTILISATION DOMESTIQUE** 

AVERTISSEMENTS

POUR REDUIRE LES RISQUES D'INCENDIE, DE DECHARGES ELECTRIQUES OU DE DOMMAGES AUX PERSONNES, OBSERVEZ LES INSTRUCTIONS SUIVANTES:

1. N'utilisez cet appareil que comme cela est indiqué par le constructeur. Si vous avez des problèmes, contactez le fabricant à l'adresse ou au numéro de téléphone indiqués dans la garantie.
2. Avant de pouvoir à l'entretien ou au nettoyage de votre appareil, éteignez-le au tableau des commandes ou bloquez le tableau des commandes afin d'éviter de le mettre en marche accidentellement. Si vous ne pouvez pas bloquer le système permettant d'éteindre votre appareil, appliquez un avertissement extérieur d'une façon sûre, comme par exemple un panneau, sur le tableau des commandes.
3. L'assemblage et la connexion électrique doivent être faits par des personnes qualifiées en respectant les normes et règlements en vigueur, y compris les normes et règlements concernant les possibilités d'incendie.
4. Il est indispensable qu'il y ait suffisamment d'air pour que la combustion et l'évacuation des gaz à travers le tuyau du brûleur du combustible ait lieu sans retour de flamme. Suivez les indications données par le fabricant du brûleur ainsi que les normes de sécurité comme celles qui sont publiées par l'Association Nationale pour la Protection contre les Incendies National Fire Protection Association (NFPA) et la American Society for Heating, Refrigeration and Air Conditioning Engineers (ASHRAE), et les autorités locales en matière de normes.
5. Quand vous coupez ou percez des trous dans le mur ou le plafond, n'abîmez pas les fils électriques ou autres.
6. Le ventilateur canalisé doit toujours évacuer l'air vers l'extérieur.
7. N'utilisez pas cet appareil avec un appareil contrôlant la vitesse à état solide.
8. Afin de diminuer tout risque d'incendie n'utilisez que des conduits en métal.
9. Votre appareil doit être relié à la terre.

ATTENTION - POUR REDUIRE LES RISQUES D'INCENDIE DES MATIERES GRASSES QUI SONT EN TRAIN DE CUIRE:

- A. Ne laissez jamais ni vos éléments chauffants, ni vos casseroles ou poêles sur le feu sans les contrôler si vous réglez l'apport de chaleur sur une position élevée. Si vos casseroles ou poêles débordent cela provoque de la vapeur et des éclaboussures de graisse qui peuvent prendre feu. Chauffez les huiles lentement à feu bas ou moyen.
- B. Faites toujours fonctionner votre hotte quand vous cuisez à des températures élevées ou quand vous cuisinez des plats flambés. (par ex. crêpes Suzette, Cerises "Jubilé", Steak au poivre flambé).
- C. Nettoyez régulièrement les ailes de vos ventilateurs. Ne permettez pas que la graisse s'accumule sur le ventilateur ou sur le filtre.
- D. Utilisez des casseroles de taille appropriée. Utilisez toujours des ustensiles de cuisson dont la taille est appropriée à la surface de votre élément de cuisson.

AVERTISSEMENTS

POUR REDUIRE LES RISQUES DE DOMMAGES AUX PERSONNES AU CAS OÙ VOTRE CUISINIÈRE PRENDRAIT FEU, OBSERVEZ LES INSTRUCTIONS SUIVANTES:*

1. **ETEINDRE LES FLAMMES** à l'aide d'un couvercle le plus hermétique possible, une plaque à gâteaux, ou un plateau en métal, puis éteindre le brûleur. **ATTENTION à NE PAS VOUS BRÛLER.** Si les flammes ne s'éteignent pas immédiatement, **SORTEZ ET APPELEZ LES POMPIERS.**
2. **NE PRENEZ JAMAIS EN MAIN UNE POÊLE OU UNE CASSEROLE QUI A PRIS FEU** - Vous pourriez vous brûler.
3. **N'UTILISEZ PAS D'EAU,** ni torchons ou serviettes mouillés - vous provoqueriez une violente explosion de vapeur.

4. Utilisez un extincteur SEULEMENT si:
 - A. Vous savez que vous avez un extincteur Classe ABC, et vous en connaissez déjà le mode d'emploi.
 - B. Ce n'est pas un très gros incendie et qu'il se limite à l'endroit où il a explosé.
 - C. Vous êtes en train d'avertir les pompiers.
 - D. Vous avez la possibilité d'essayer d'éteindre l'incendie en ayant le dos tourné vers une issue.
- * D'après les "Suggestions concernant la Sécurité contre les incendies des cuisines" publiées par NFPA.

ATTENTION

1. Pour réduire tout risque d'incendie et pour évacuer correctement l'air, assurez-vous de prévoir un conduit de ventilation extérieur. Ne videz pas l'air dans les espaces limités par des murs ou des plafonds, les combles, les passages étroits ou les garages.
2. Faites très attention quand vous utilisez des produits de nettoyage ou des détergents.
3. Évitez d'utiliser des aliments pouvant s'enflammer sous la Range Hood.
4. N'utilisez cet appareil que pour une ventilation générale. Ne l'utilisez pas pour évacuer des matières ou des vapeurs dangereuses ou qui peuvent exploser.
5. Pour éviter de causer des dommages au moteur et de rendre les rotors bruyants et/ou non équilibrés, évitez que les sprays pour murs secs, la poussière de construction entrent en contact avec la partie électrique.
6. Le moteur de votre hotte a un thermostat qui éteindra automatiquement le moteur s'il est surchauffé. Le moteur se remettra en marche lorsqu'il se sera refroidi. Si le moteur continue à s'éteindre et à se remettre en marche, faites vérifier votre hotte.
7. Pour mieux capturer les impuretés de cuisine, le bas de votre hotte devrait être à une distance minimum de 22" (55.9cm) et à une distance maximum de 28" (71.1cm) au-dessus du plan de cuisson. Reportez-vous à la rubrique "Installation etrier d'assemblage" pour connaître les restrictions concernant le montage.
8. Vu que cette hotte est grande et lourde, il est recommandé de confier l'installation de cette hotte à deux personnes.
9. Ce produit est doté d'un thermostat qui active automatiquement le moteur. Pour réduire le risque de dommages et éviter l'activation accidentelle, positionner l'interrupteur du panneau de service sur la position OFF et bloquer le panneau de service ou mettre un avertissement externe, par exemple une plaquette.
10. Utiliser uniquement avec un kit de connexion pour alimentation homologué.
11. Nous vous recommandons de lire l'étiquette indiquant les caractéristiques de votre hotte pour de plus amples informations et exigences.

**S'utilise avec unité extérieure Best by Broan,
modèle EB6, EB9, EB12 et EB15;
Ou unité In-Line, modèle ILB3, ILB6, ILB9 or ILB11**

FONCTIONNEMENT

Commandes

La hotte fonctionne à l'aide de cinq (5) boutons-poussoirs situés sur le bord antérieur de votre hotte.

Le **Bouton de la lumière** allume et éteint les lampes halogènes. En pressant 1 fois la touche, la lumière s'allume au 1^{er} niveau; en pressant 2 fois la touche, la lumière du 2^{ème} niveau s'allume (éclairage plus intense); en pressant encore une fois la touche, la lumière s'éteint.

Le **Bouton de la lumière du verre** actionne la lumière du verre. Appuyer sur l'interrupteur de verre pour allumer la lumière correspondante – appuyer une seconde fois pour éteindre. Presser sans relâcher le bouton pour activer le capteur automatique de lumière. Lorsque l'affichage du témoin lumineux indique "A", la lumière de verre s'allume automatiquement quand la pièce tombe dans l'obscurité. Appuyer une seconde fois pour désactiver le capteur et éteindre la lumière.

L'interrupteur de **Ventilateur Arrêt/Régime** arrête le ventilateur ou change sa vitesse selon quatre régimes différents : élevé, moyen-élevé, moyen-faible et faible régime. Si l'on maintient le bouton enfoncé pendant 2 secondes, le ventilateur s'arrête.

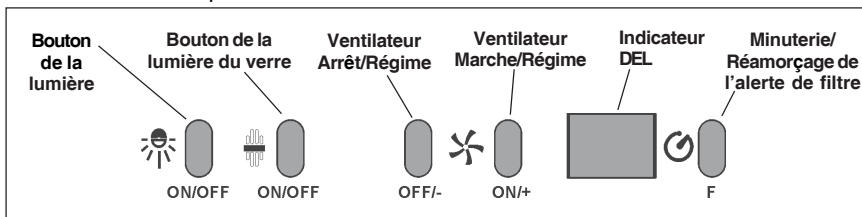
L'interrupteur de **Ventilateur Marche/Régime** actionne le ventilateur ou change sa vitesse selon quatre régimes différents : faible, moyen-faible, moyen-élevé et élevé.

L'Indicateur DEL :

- Il indique la vitesse du ventilateur de 1 (régime faible) à 4 (régime élevé).
- Il indique en clignotant la vitesse du ventilateur lorsque la minuterie de 10 minutes est activée.
- Après 30 heures d'utilisation, le segment central de l'indicateur clignote puis demeure allumé, indiquant que les filtres doivent être nettoyés.
- Il indique "A" si le capteur de la lumière c'est actionné.

L'**Interrupteur de minuterie** actionne un dispositif de minuterie qui se trouve désactivé. Lorsque l'on appuie sur ce bouton, le ventilateur continue à fonctionner pendant 10 minutes au régime réglé, puis s'arrête automatiquement.

Le bouton de **Réamorçage de l'alerte de filtre** remet le compteur de 30 heures à zéro pour les filtres. Après avoir nettoyé ou remplacé les filtres, appuyez une fois sur ce bouton pour remettre l'alerte à zéro.



HEAT SENTRY^{MC}

Votre hotte est munie d'un thermostat HEAT SENTRY^{MC}. Ce thermostat est un dispositif qui actionnera ou augmentera la vitesse du ventilateur s'il détecte une chaleur excessive au-dessus de la surface de cuisson.

- 1) Si le ventilateur n'est pas en marche - il actionnera le ventilateur en haute vitesse.
- 2) Si le ventilateur fonctionne en basse vitesse - le ventilateur tournera en haute vitesse.

Lorsque la température revient à la normale, le ventilateur retourne à sa vitesse d'origine.

AVERTISSEMENT

Le thermostat HEAT SENTRY^{MC} peut actionner la hotte même si la hotte est arrêtée. Si tel est le cas, il est impossible de l'arrêter avec l'interrupteur. Si vous devez arrêter le ventilateur, faites-le à partir du panneau électrique principal.

AMPOULES HALOGENES

Ce modèle de hotte veut deux (2) ampoules halogènes (Type T3, 12Volt, 20 Watt Max, G-4 Base).

⚠ ATTENTION: avant de procéder à quelconque opération, débranchez l'appareil.

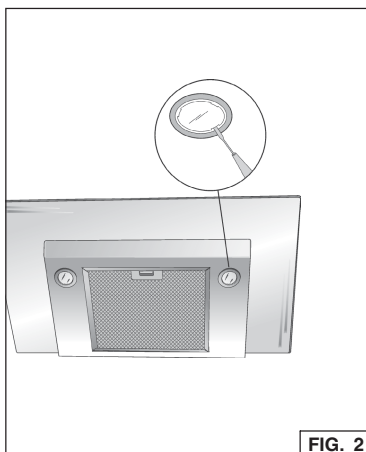
Pour changer les ampoules:

1. Ouvrez le couvercle en faisant levier grâce aux fissures prévues à cet effet. Fig. 2.
2. Retirez l'ampoule en tirant latéralement. (NE LA FAITES PAS TOURNER).

⚠ ATTENTION: l'ampoule peut être chaude!

3. Remplacer par une ampoule ayant les mêmes caractéristiques (T3, 12Volt, 20 Watt Max, G-4 Base). Ne touchez pas l'ampoule neuve de vos mains nues.

⚠ ATTENTION: L'utilisation d'ampoules de plus de 20 watts provoquera l'ouverture du fusible.



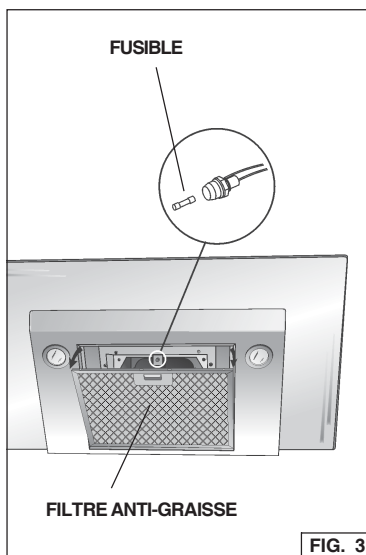
REPLACEMENT FUSIBLE

SI LES AMPOULES NE FONCTIONNENT PAS, DÉBRANCHEZ L'ALIMENTATION À L'ENTRÉE DE SERVICE. CONTRÔLEZ LE FUSIBLE ET REMPLACEZ-LE SI NÉCESSAIRE.

1. Enlevez le filtre anti-graisse.
2. Dévissez la protection du support de fusible et retirez le fusible.
3. Remplacez le fusible par un autre de même taille et de même intensité (5 x 20 mm, 4 amp, 125 volts).

⚠ ATTENTION : L'utilisation d'un fusible de plus de 4 amps peut endommager le transformateur.

4. Remplacez la protection du support de fusible.
5. Rebranchez l'alimentation à l'entrée de service.



ENTRETIEN

Un bon entretien de votre hotte garantira une excellente performance.

Filtre anti-graisse

Le filtre anti-graisse doit être nettoyé fréquemment. Utilisez une solution contenant un détergent tiède. Le filtre anti-graisse peut être lavé au lave-vaisselle. Voir la section "INSTALLER LES FILTRES" pour les instructions relatives au démontage et à l'installation.

Nettoyage de votre hotte

L'acier inoxydable est une des matières les plus faciles à nettoyer. Un entretien de temps en temps permettra de le conserver en parfait état. Conseils pour le nettoyage:

- Eau chaude et savon ou détergent est tout ce qui est normalement nécessaire.
- Après chaque nettoyage, rincez bien à l'eau claire. Essuyez avec un chiffon propre et doux afin d'éviter les taches d'eau.
- Si des décolorations ou des dépôts persistent, utilisez un nettoyant domestique non abrasif ou de la poudre pour l'acier inoxydable et un peu d'eau et un chiffon doux.
- Dans les cas difficiles, utilisez une éponge en plastique ou une brosse douce avec du nettoyant et de l'eau. Frottez légèrement en suivant la direction du polissage ou du "grain" de l'acier inoxydable. Evitez de frotter trop fort afin de ne pas abîmer la surface.
- **NE LAISSEZ PAS** les taches trop longtemps.
- **N'UTILISEZ PAS** de laines d'acier ordinaires ou des brosses en acier. Des débris d'acier pourraient adhérer à la surface et causer de la rouille.
- **NE PERMETTEZ PAS** que des solutions salées, des désinfectants, des blanchissants ou des produits nettoyants restent en contact avec l'acier pendant longtemps. Beaucoup de ces produits contiennent des produits chimiques qui pourraient causer des dommages. Rincez à l'eau immédiatement s'ils entrent en contact et essuyez avec un chiffon humide.

Les surfaces peintes doivent être nettoyées avec de l'eau tiède additionnée d'un détergent doux seulement.

PREPAREZ LA HOTTE

Enlever la hotte dans l'emballage et contrôler le contenu.

Vous devez recevoir :

- 1 - Hotte
- 1 - Conduit décoratif
- 1 - Sachet (B080810747) avec:
 - 1 - Étrier d'assemblage
 - 1 - Collier d'évacuation
 - 1 - Étrier de support
 - 8 - Vis d'assemblage (4.8 x 38mm Tête ronde)
 - 6 - Vis d'assemblage (3.9 x 9.5mm Tête ronde)
 - 2 - Vis d'assemblage (3.9 x 6 mm Tête plate)
 - 8 - Chevilles
 - 1 - Vis d'assemblage (2.9 x 9.5mm Tête ronde)
- 1 - Instructions pour l'installation
- 1 - Garantie

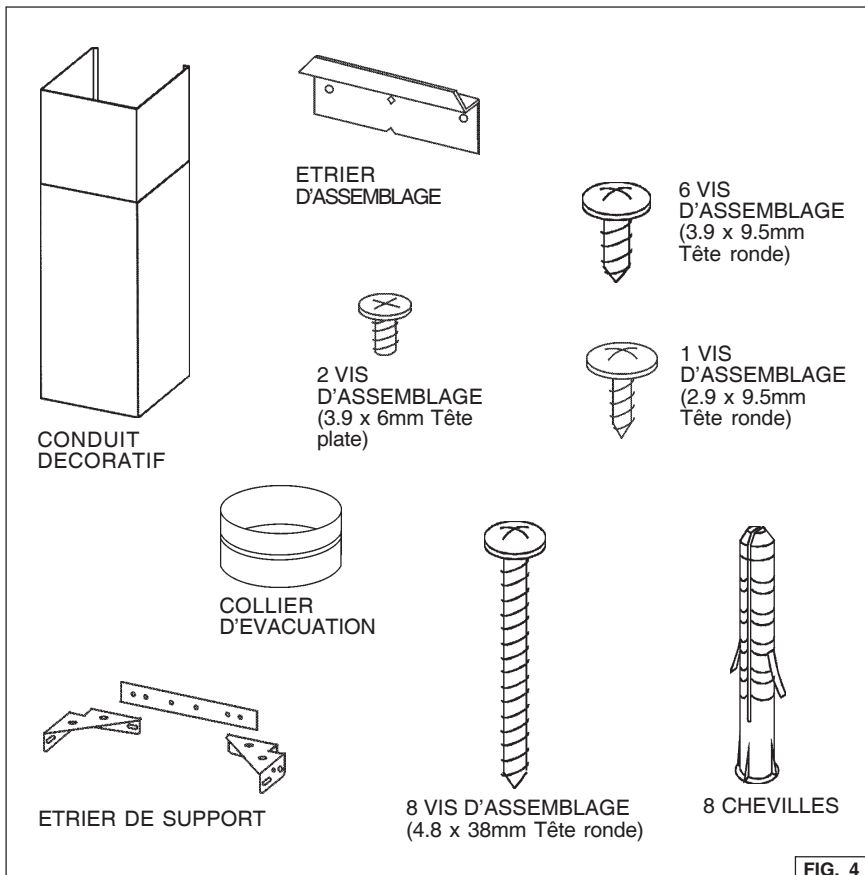


FIG. 4

SELECTION UNITE EXTERIEURE OU INLINE

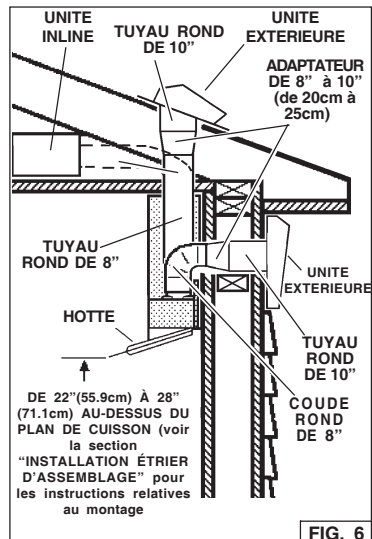
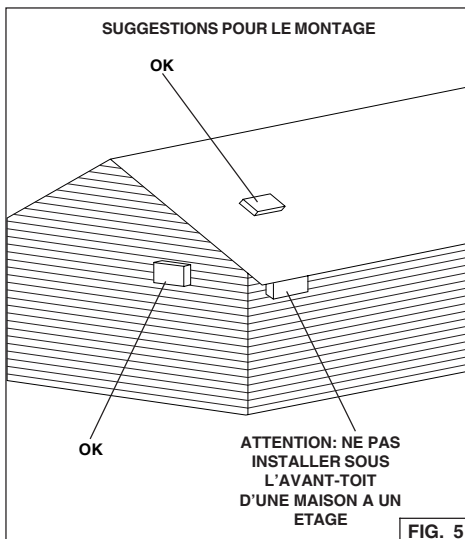
ATTENTION : pour diminuer les risques d'incendie ou de décharges électriques, installer cette hotte uniquement avec des unités extérieures modèle EB6, EB9, EB12 ou EB15, ou unité In-Line modèle ILB3, ILB6, ILB9 ou ILB11.

Les unités doivent être comprises dans la liste **UL** pour l'utilisation au Canada et aux **USA** et approuvée pour l'utilisation avec un "dispositif de contrôle de la vitesse" à l'état solide, dont les données sur la plaque sont 120V, 60 Hz, 6.0 A max.

INSTALLATION DU SYSTEME D'EVACUATION

NOTE: Pour réduire les risques d'incendie n'utiliser que des conduits métalliques.

1. Choisir l'emplacement où l'unité extérieure sera montée. Voir les illustrations ci-dessous pour le choix de l'emplacement et les éventuelles restrictions à suivre.
2. Un conduit d'évacuation étroit et court rendra la hotte plus performante.
3. Des conduits d'évacuation longs, avec des coudes et des raccords rendront la hotte moins efficace. Les utiliser le moins possible. En cas de conduits d'évacuation longs on utilisera un diamètre supérieur.
4. Après avoir installé l'unité extérieure, raccorder le tuyau métallique rond dans le sens de l'emplacement de la hotte. Utiliser du chaterton pour fermer hermétiquement les joints entre les tuyaux.
5. Pour les unités extérieures, il faut un adaptateur rond (Modèle 414) d'un diamètre de 8" à 10". Pour obtenir de bons résultats il faut installer l'adaptateur le plus près possible de la hotte.
6. Vérifiez les instructions de l'unité In-Line pour le tuyau e pour l'adaptateur recommandé.



INSTALLATION ELECTRIQUE

⚠ ATTENTION: L'installation électrique doit être faite par du personnel qualifié selon les normes. Cette hotte de cuisinière doit être installée correctement.

Ne pas faire fonctionner tant que tous les fils n'ont pas été branchés.

Branchement de la turbine de ventilation à la hotte :

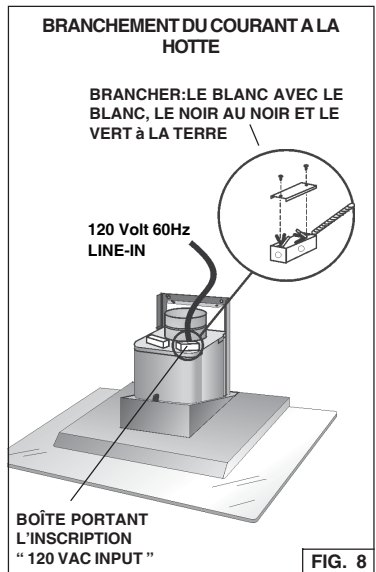
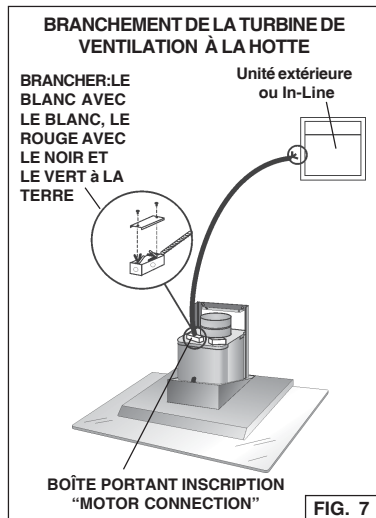
1. Connecter les connecteurs (deux fils + fil de terre) de la turbine de ventilation à la boîte du tableau électrique de la hotte où est indiqué "motor connection". Fig. 7
2. Enlever le couvercle de la boîte du tableau électrique et enlever un knockout. Fig. 7
3. Fixer le "conduit" à la boîte du tableau électrique à l'aide d'un connecteur approprié pour ce "conduit". Fig. 7
4. Faire le branchement électrique à la hotte. Raccorder le blanc avec le blanc, **le rouge au noir** et le vert à la terre. Fig. 7
5. Remettre le couvercle sur la boîte du tableau électrique et en revissant s'assurer que les fils n'ont pas été pincés entre le couvercle et la boîte.

Branchement de l'unité extérieure ou In-Line:

1. Effectuer les branchements électriques sur l'unité extérieure ou In-Line (Voir la notice jointe avec l'unité).

Branchement du courant à la hotte :

1. Connecter les connecteurs d'alimentation avec la boîte du tableau électrique de la hotte dans le point indiqué "120 VAC input". Fig. 8
2. Enlever le couvercle de la boîte du tableau électrique et enlever un knockout. Fig. 8
3. Fixer le "conduit" à la boîte du tableau électrique à l'aide d'un connecteur approprié pour ce "conduit". Fig. 8
4. Faire le branchement électrique à la hotte. Raccorder le blanc avec le blanc, **le noir au noir** et le vert à la terre. Fig.8
5. Remplacer le couvercle sur la boîte du tableau électrique et en revissant s'assurer que les fils n'ont pas été pincés entre le couvercle et la boîte.



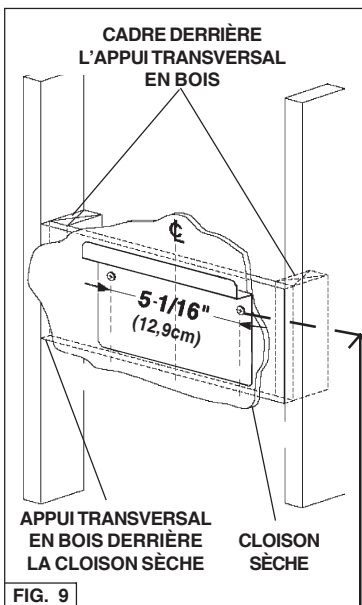
INSTALLATION ETRIER D'ASSEMBLAGE

1. Construisez un **cadre** en bois pour le mur dont les vis-pivot ne dépassent pas. Fig. 9.

Assurez-vous:

- a) que le cadre est centré au-dessus de l'emplacement de l'installation.
- b) la hauteur du cadre permettra que l'**étrier d'assemblage** soit fixé au cadre en respectant les dimensions indiquées.

2. **Après avoir complété la finition de la surface du mur**, fixer l'étrier d'assemblage au cadre avec des vis de montage (2) de 4.8 x 38 mm. Voir le diagramme ci-dessous pour l'emplacement de l'étrier d'assemblage.



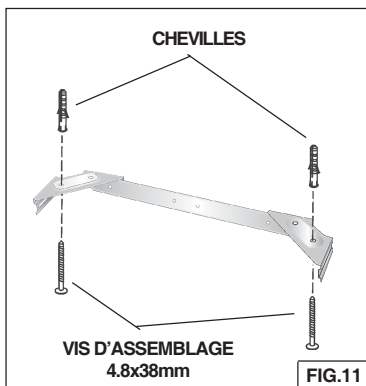
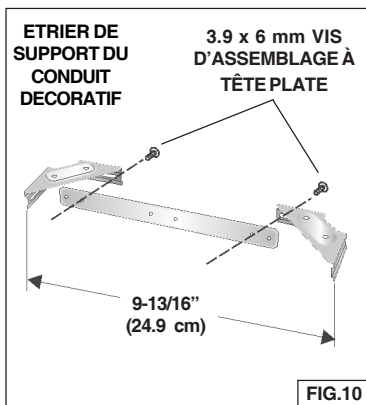
HAUTEUR DU PLAFOND	ESPACEMENT ENTRE LA HOTTE ET LE PLAN DE CUISSON DE 36" DE HAUT (VOIR REMARQUE a)						
	22"	23"	24"	25"	26"	27"	28"
	EMPLACEMENT D'ETRIER D'ASSEMBLAGE AU-DESSUS DU PLAN DE CUISSON DE 36" DE HAUT						
8-FOOT	41-1/4"	42-1/4"	43-1/4"	44-1/4"			
9-FOOT	41-1/4"	42-1/4"	43-1/4"	44-1/4"	45-1/4"	46-1/4"	47-1/4"
10- FOOT (voir remarque b)	41-1/4"	42-1/4"	43-1/4"	44-1/4"	45-1/4"	46-1/4"	47-1/4"

Remarques :

- a. La distance minimale de la hotte au-dessus du plan de cuisson ne doit pas être inférieure à 22".
Un maximum de 28" au-dessus du plan de cuisson est hautement recommandé pour mieux capter les impuretés.
Des distances supérieures à 28" sont à la discrétion de l'installateur et de l'utilisateur, et dans la mesure où la hauteur de plafond et la longueur de la conduite des fumées le permettent.
- b. Demande une extension de la conduite des fumées de 10', modèles en option à évacuation AEWC26xB.

INSTALLATION ETRIER DE SUPPORT DU CONDUIT DECORATIF

1. Assemblez l'étrier de support du conduit décoratif en réglant la largeur extérieure comme indiqué. Fig. 10.
2. Centrez **soigneusement** le support directement sur l'emplacement destiné à la hotte.
3. Fixez l'assemblage du support au plafond au moyen de deux (2) vis de montage de 4.8x38mm et des chevilles (Fig. 11). Vérifiez que le support est enfoncé dans le mur adjacent et qu'il est centré au-dessus de la hotte.

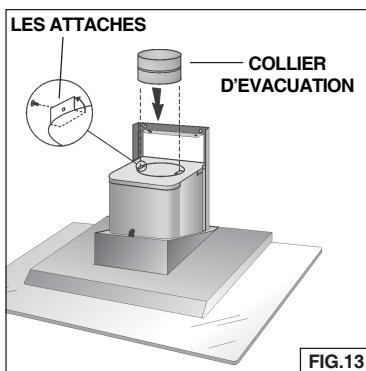
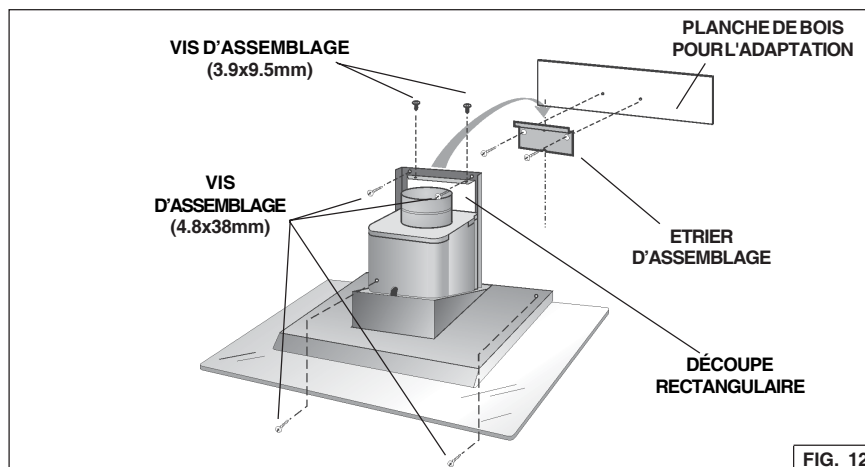


INSTALLATION DE LA HOTTE

Remarque : si la hotte est en acier inoxydable, retirez précautionneusement le film protecteur des surfaces extérieures et du conduit décoratif avant de terminer l'installation.

Remarque : la hotte doit être installée par au moins deux personnes.

1. Soulevez la hotte et placez-la à l'endroit où elle sera installée.
2. Alignez l'ouverture rectangulaire située à l'arrière de la hotte avec l'étrier d'assemblage. Abaissez lentement la hotte jusqu'à ce qu'elle s'emboîte avec l'étrier (Fig. 12).
3. Mettre la hotte à niveau avec des vis de montage (2) de 3.9 x 9.5 mm et la fixer avec des vis de montage (4) de 4.8 x 38 mm. Si vous ne disposez pas de poteaux de cloison ni d'armature, utilisez les chevilles murales fournies (Fig.12).
4. Installer le collier d'évacuation à l'intérieur des attaches et les fixer avec deux vis (2) de 3.9 x 9.5mm (Fig. 13).
5. Raccorder un conduit métallique rond de 8" entre le collier d'évacuation de la hotte et le conduit qui mène à l'unité.
6. Fixer tous les joints des conduites avec du ruban adhésif pour les rendre plus sûrs et étanches.
7. Branchez le cordon d'alimentation à la prise murale. Faites passer la longueur de cordon qui dépasse derrière le conduit.



INSTALLATION DE LA HOTTE, suite

7. Placez précautionneusement le conduit décoratif sur la hotte (Fig. 14).

PIÈCES AVEC DES PLAFONDS DE 10'

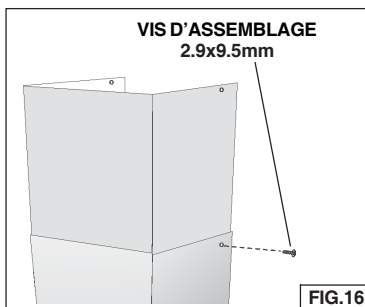
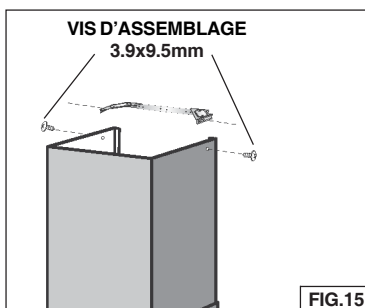
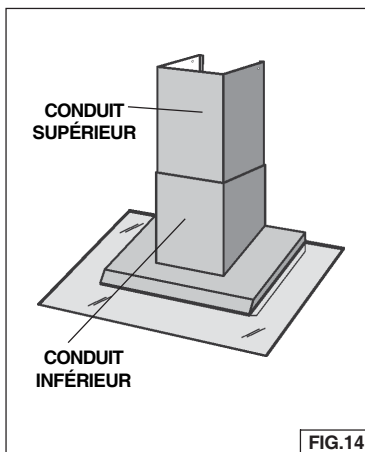
Les pièces avec des plafonds de 10' ont besoin d'un modèle d'extension de conduit AEWC26xB, disponible auprès de votre distributeur local.

8. Jetez le conduit supérieur fourni avec le produit. Remplacez-le par l'extension de conduit.

9. Soulevez le conduit supérieur jusqu'à ce que ses trous soient alignés avec les trous de l'étrier de support du conduit (situé au plafond). Fig. 15.

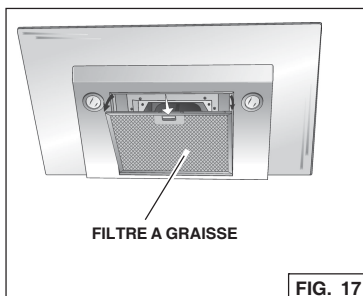
10. Fixez le conduit au moyen de (2) vis de montage 3.9x9.5mm. Fig. 15.

11. Fixez le conduit inférieur au conduit supérieur au moyen de la vis d'assemblage (2.9x9.5mm). Percez le trou (D. 1/16", 2mm) sur le conduit supérieur (Fig. 16).



INSTALLER LES FILTRES

1. Pour ôter le filtre ANTI-GRAISSE, saisir la languette de verrouillage et la tirer vers le bas. Le filtre se dégagera ainsi de la hotte. Le faire balancer vers le bas et le retirer. Fig. 17.
2. Pour installer le filtre ANTI-GRAISSE, aligner les languettes arrière du filtre sur les fentes dans la hotte. Tirer la languette de verrou, pousser le filtre en place et relâcher. S'assurer que le filtre est solidement engagé après l'installation. Fig.17.



REMARQUE : Avant l'emploi, retirer le film protecteur du cadre de filtre.

GARANTIE

GARANTIE BROAN LIMITÉE À UN AN

Broan garantit au consommateur-acheteur de ses produits que ces produits seront sans défauts concernant les matières employées et concernant la fabrication pendant une période d'un an à partir de la date d'achat. IL N'Y A AUCUNE AUTRE GARANTIE, EXPLICITE OU IMPLICITE, Y COMPRIS, MAIS NON PAS LIMITEE A, LES GARANTIES IMPLICITES OU CONCERNANT LA CAPACITE COMMERCIALE OU LA CONVENANCE POUR TOUT BUT PARTICULIER. Pendant cette période d'un an, Broan réparera ou remplacera, s'il le jugera nécessaire, gratuitement, tout article ou toute pièce qui résulteront défectueux à condition qu'ils aient été utilisés et entretenus correctement.

CETTE GARANTIE NE S'ETEND PAS AUX INTERRUPTEURS DES NEON, NEON, LAMPES HALOGENES, AMPOULES d'ILLUMINATION. Cette garantie ne couvre pas (a) l'entretien normal ni (b) tout article ou toute pièce qui aient subi une utilisation erronée, une négligence, un accident, un entretien erroné ou une réparation (autre que de la part de Broan), une installation défectueuse ou bien une installation ne respectant pas les instructions d'installation recommandées.

La durée de toute garantie implicite est limitée à un an comme cela est spécifié dans la garantie explicite. Quelques états ne permettent pas de limites quant à la durée d'une garantie implicite, par conséquent la limitation indiquée ci-dessus peut ne pas vous concerner.

L'OBLIGATION DE REPARER OU DE REMPLACER DE LA PART DE BROAN SERA LE SEUL ET EXCLUSIF REMEDE DE L'ACHETEUR COUVERT PAR CETTE GARANTIE. BROAN NE SERA PAS RESPONSABLE DES DOMMAGES ACCIDENTELS, CONSEQUENTIELS OU SPECIAUX DUS A L'UTILISATION DU PRODUIT OU A SA PERFORMANCE OU EN ETANT LA CONSEQUENCE. Quelques états ne permettent pas l'exclusion ou la limitation des dommages accidentels ou consécutifs, par conséquent la limitation indiquée ci-dessus peut ne pas vous concerner. Cette garantie vous donne des droits légaux spécifiques, et vous pouvez aussi avoir d'autres droits, qui varient d'Etat à Etat. Cette garantie dépasse toute garantie précédente. Pour avoir droit à la garantie, vous devez (a) avertir la Maison Broan à l'adresse indiquée ci-dessous ou téléphoner : 1-800-637-1453, (b) donner le numéro du modèle et l'identification de la pièce défectueuse et (c) décrire la nature de tout défaut de l'article ou de la pièce. Au moment où vous demandez le service de garantie, vous devez présenter la preuve d'achat avec la date.

BEST BY BROAN, P.O. Box 140 Hartford, Wisconsin 53027

LEA Y CONSERVE ESTAS INSTRUCCIONES

 **INDICADO PARA EL USO EN COCINAS DOMESTICAS** 

  **ADVERTENCIA**

PARA EVITAR EL RIESGO DE INCENDIO, CORTOCIRCUITO O DAÑO PARA LAS PERSONAS, OBSERVE ATENTAMENTE LAS SIGUIENTES NORMAS:

1. Use esta unidad solamente de la manera indicada por el fabricante; si tiene dudas, póngase en contacto con éste a la dirección o teléfono indicados en la garantía.
2. Antes de hacer una revisión o de limpiar la unidad, desconéctela de la red para evitar que se encienda de manera accidental. En el caso de que éste no pueda ser desactivado, se indicará nel panel de servicio.
3. El montaje y la instalación eléctrica debe hacerlos un técnico especializado siguiendo las normas estándar e incluyendo aquellas de construcción anti incendio.
4. Necesita aire suficiente para una apropiada combustión y escape de gases a través del tubo del depósito de quema de combustible. Para evitar que el humo aspirado vuelva a la cocina, siga las directivas del fabricante y las normas estándar de seguridad así como las normas publicadas por la Asociación de prevención de incendios (NFPA) y la Sociedad americana de especialistas en cale-facción, refrigeración y aire acondicionado y además las normas de las autoridades locales.
5. Hacer un corte o un taladro en la pared o en el techo no debe dañar la instalación eléctrica u otras instalaciones ocultas en la pared.
6. Los conductos ventiladores deben siempre desalojar al exterior.
7. No use esta unidad con dispositivo de control de la velocidad a estado sólido.
8. Para evitar el riesgo de incendio, use solamente conductos de metal.
9. Esta unidad tiene que ser conectada a tierra.

PARA EVITAR EL RIESGO DE FUEGO POR ALTO NIVEL DE GRASA:

- A. Nunca abandone los quemadores con el fuego alto. La cocción causa humo y restos de grasa que pueden arder. Caliente el aceite a fuego medio o bajo.
- B. Encienda siempre la campana cuando cocine a fuego alto o cuando cocine alimentos fácilmente inflamables. (por ejemplo Crepes Suzette, Cerezas Jubilee, Ternera flambeada con granos de pimienta).
- C. Limpie con frecuencia los ventiladores. No se debe acumular grasa en el ventilador o en el filtro.
- D. Usa el tamañ de cazuela apropiado. Use siempre utensilios de cocina de tamaño y material adecuados.

  **ADVERTENCIA**

PARA EVITAR EL RIESGO DE DAÑOS A PERSONAS EN CASO DE FUEGO POR ALTO NIVEL DE GRASA, TENGA EN CUENTA LO SIGUIENTE:*

1. SOFOQUE LA LLAMA con una tapadera apropiada, una bandeja metálica ó un utensilio de cocina que pueda cubrirla, despues, apague el quemador. ACTÚE CON PRECAUCIÓN PARA EVITAR QUEMADURAS. Si la llama no se extingue inmediatamente, SALGA Y LLAME A LOS BOMBEROS.
2. NUNCA COJA UNA SARTEN EN LLAMAS, porque corre el riesgo de quemarse.
3. NO USE AGUA ni paños o toallas húmidas porque puede provocarse una violenta humareda.
4. Use un extintor SOLAMENTE si:
 - A. Posee un extintor de clase ABC y sabe perfectamente cómo usarlo.
 - B. El fuego es pequeño y está controlado en el mismo sitio en que empezó.
 - C. Ha llamado con anterioridad a los bomberos.
 - D. Puede combatir el fuego retrocediendo hacia la salida.

* Basado en "Seguridad antifuego en la cocina" publicado por NFPA.

ADVERTENCIA

1. Para reducir el riesgo de incendios y para evacuar correctamente los humos, asegurarse de haber realizado una conducción del aire hasta el exterior. No expulsar los humos en espacios cerrados por paredes o techos, áticos, espacios angostos o garajes.
2. Prestar la máxima atención al utilizar productos de limpieza o detergentes.
3. Evitar el uso de productos alimentarios que puedan inflamarse bajo la campana.
4. Sólo para ventilación total. No use gases de escape peligrosos o materiales y vapores explosivos.
5. Para evitar daños en el funcionamiento del motor e impulsores ruidosos y/o desequilibrados, mantenga alejados de la unidad de encendido pulverizadores en seco o polvo.
6. El motor tiene un nivel de sobrecarga térmica que apaga automáticamente el motor cuando se ha recalentado excesivamente. El motor se pone de nuevo en funcionamiento cuando la temperatura baja. Si el motor comienza a encenderse y a apagarse, deberá hacer una revisión de éste.
7. Para limpiar mejor las impurezas al cocinar, la distancia entre la parte inferior de la campana y la zona de cocción debe ser mínimo 22" (55.9 cm) - máximo 28" (71.1 cm). Consulte el apartado "Instalación del soporte de montaje" para ver las restricciones de montaje.
8. Debido a su gran tamaño y peso, se recomienda su montaje por parte de dos técnicos especializados.
9. Este producto está dotado de un termostato que pone en marcha automáticamente el motor. Para reducir el riesgo de daños y evitar que se encienda accidentalmente, colocar el interruptor del panel de servicio en la posición OFF y bloquear el panel de servicio o colocar una advertencia externa como por ejemplo un letrero o una chapita.
10. Use solamente con juego de conexión para alimentación aprobado.
11. Se recomienda leer la placa de características del producto para ulterior información.

**Para uso con centralita externa Best by Broan,
modelo EB6, EB9, EB12 y EB15;
O centralita In-Line, modelo ILB3, ILB6, ILB9 o ILB11**

FUNCIONAMIENTO

Mandos

La campana se opera mediante los 5 botones pulsadores que se encuentran en el frontal de la campana.

El **interruptor luz** enciende y apaga las lámparas halógenas. Pulsando el botón una vez, la luz se enciende a intensidad 1, pulsándolo una segunda vez, la luz se enciende a intensidad 2 (luz más intensa) y, pulsándolo otra vez más, la luz se apaga completamente.

El **interruptor del cristal** enciende la luz de cristal. Pulse una vez el interruptor del cristal para encender la luz de cristal y vuelva a pulsarlo para apagarla. Mantenga pulsado el botón para activar el sensor de luz automático. Si el visor LED indica "A", la luz de cristal se encenderá automáticamente cuando la sala quede a oscuras. Vuelva a pulsar para desactivar el sensor y apagar la luz.

El **interruptor de apagado/velocidad del ventilador** apaga el ventilador y cambia su velocidad a cuatro ajustes: alta, mediana-alta, mediana-baja y baja. Para apagar el ventilador, apriete el botón sin aflojarlo durante 2 segundos.

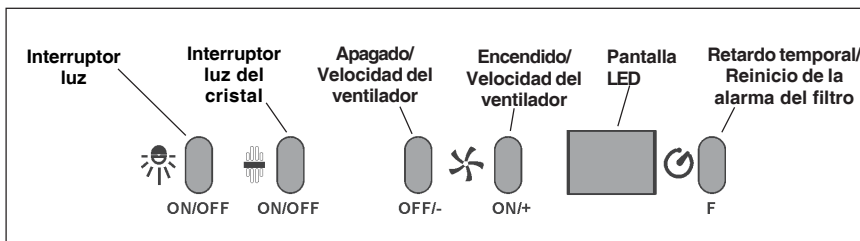
El interruptor de **encendido/velocidad del ventilador** enciende el ventilador en cuatro ajustes de velocidad: baja, mediana-baja, mediana-alta y alta.

La **pantalla LED**:

- Indica la selección de la velocidad del ventilador: desde 1 (velocidad baja) hasta 4 (velocidad alta).
- La velocidad del ventilador aparece intermitente en la pantalla una vez que se activa el apagado demorado de 10 minutos.
- Después de 30 horas de funcionamiento, el segmento central de la pantalla destellará y permanecerá encendido; esto indica que es necesario limpiar los filtros.
- Indica "A" si el sensor de la luz es activo.

El interruptor de **retardo temporal** activa la función de apagado demorado. Al apretarlo, el ventilador continuará funcionando a la velocidad presente durante 10 minutos antes de apagarse automáticamente.

El interruptor de **reinicio de alarma del filtro** sirve para reiniciar el temporizador de 30 horas del filtro. Después de limpiar o cambiar los filtros, apriete este interruptor una vez para reiniciar la alarma del filtro limpio.



HEAT SENTRYMR

Su campana esta equipada con termostato HEAT SENTRYMR. Este termostato tiene un mecanismo que se encenderá acelerará el ventilador si se detecta un calor excesivo encima de la cocina.

- 1) Si el ventilador esta apagando - el se prenderá a una velocidad máxima.
- 2) Si el ventilador esta encendido a una velocidad minima - el se prenderá a una velocidad máxima.

Cuando la temperatura disminuye a un nivel normal, el ventilador vuelve a la función de origen.

AVERTENCIA

El HEAT SENTRYmr termostato puede comenzar a funcionar al igual si la campana esta parada. En este caso, es imposible parar el ventilador con los interruptores de la campana, halago a partir del panel eléctrico principal.

LAMPARAS HALOGENAS

Este tipo de campana necesita dos (2) lámparas halógenas (Tipo T3, 12Volt, 20 Watt Max, G-4 Base).

⚠ ATENCIÓN: antes de proceder a cualquier operación, es necesario desconectar el aparato.

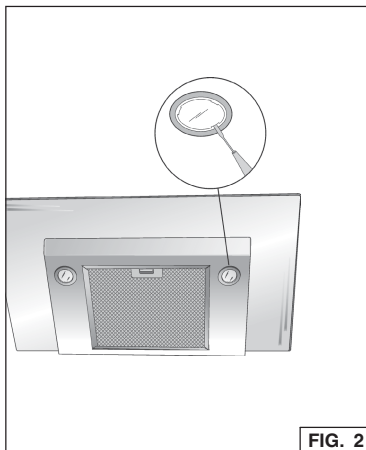
Para cambiar las lámparas:

1. Abra la tapa haciendo palanca sobre las hendiduras apropiadas. Fig. 2.
2. Quite la bombilla tirando de los lados. (NO LA GIRE).

⚠ ATENCIÓN: las lámparas pueden estar calientes.

3. Sustituir con lámparas del mismo tipo (T3, 12Volt, 20 Watt Max, G-4 Base). No toque la lámpara de repuesto con las manos desnudas.

⚠ PRECAUCIÓN: Si utiliza bombillas de más de 20 vatios se abrirá el fusible.



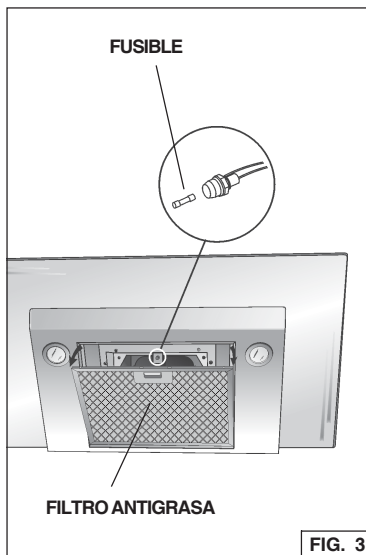
SUSTITUCION FUSIBLE

SI LAS LÁMPARAS NO FUNCIONAN, DESCONECTE LA CORRIENTE DE LA TOMA DE SERVICIO, INSPECCIONE EL FUSIBLE Y CÁMBIELO SI ES NECESARIO.

1. Remover el filtro antigrasa.
2. Desenrosque la tapa del portafusibles y saque el fusible.
3. Sustituya el fusible por otro del mismo tamaño y amperaje (5 x 20 mm, 4 A, 125 V).

⚠ PRECAUCIÓN: Si utiliza un fusible de más de 4 A puede dañar el transformador.

4. Vuelva a colocar la tapa del portafusibles.
5. Vuelva a conectar la corriente en la toma de servicio.



MANTENIMIENTO

Un mantenimiento adecuado de la campana asegura el funcionamiento correcto del aparato.

Filtro antigrasa

El **filtro antigrasa** debe limpiarse con frecuencia. Use un detergente que no sea fuerte. Use un detergente que no sea fuerte. El filtro antigrasa se puede meter en el lavavajillas.

Las instrucciones de desmontaje e instalación se encuentran en la sección "INSTALACIÓN DE LOS FILTROS".

Limpieza de la campana

El acero inoxidable es uno de los materiales más fáciles de limpiar, pero sería aconsejable un especial cuidado en su uso para mantenerla en buen estado. La campana se puede limpiar de las siguientes maneras:

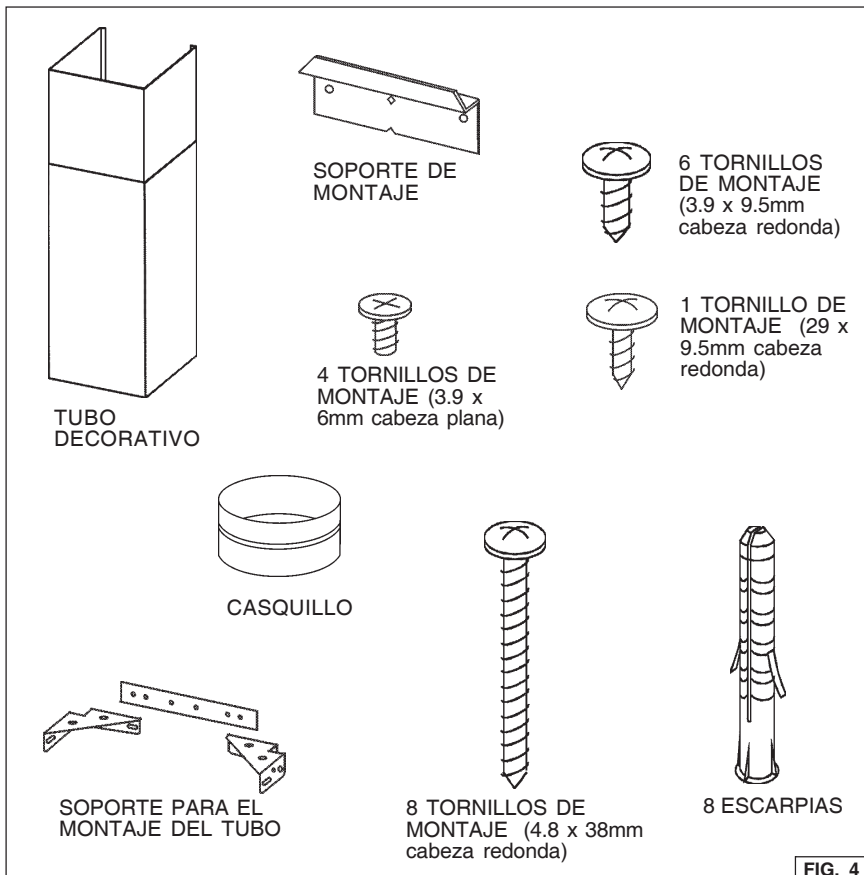
- Agua caliente con jabón o detergente es la mejor manera para limpiarla.
- Aclárela con agua corriente, séquela con un paño suave y limpio para evitar las huellas que deja el agua.
- Para las manchas o restos de grasa que persistan, use un producto químico doméstico que no raye ó un limpiador para acero inoxidable con poca agua y un paño suave.
- Si las manchas persisten, use un estropajo y un cepillo de cerdas suaves con un producto limpiador y agua. Frote suavemente en el sentido del pulido o de las "vetas" del remate del inoxidable. No apriete demasiado porque podría dañar la superficie.
- No deje que las manchas se acumulen durante mucho tiempo.
- No use utensilios o cepillos de acero. Pequeñas partículas de acero pueden adherirse y oxidarse.
- No use soluciones salinas, desinfectantes, lejías, o productos de limpieza que permanezcan en contacto con el acero inoxidable durante largos periodos de tiempo. Muchos de estos productos contienen componentes químicos que podrían

PREPARE LA CAMPANA

Sacar la campana de l'embalaje y controlar el contenido.

Recivireis:

- 1 - Campana
- 1 - Tubo decorativo
- 1 - Bolsita (B080810747) con:
 - 1 - Soporte de montaje
 - 1 - Casquillo
 - 1 - Soporte para el montaje del tubo
 - 8 - Tornillos de montaje (4.8x38mm cabeza redonda)
 - 6 - Tornillos de montaje (3.9x9.5mm cabeza redonda)
 - 2 - Tornillos de montaje (3.9x6 mm cabeza plano)
 - 8 - Escarpías
 - 1 - Tornillos de montaje (2.9x9.5mm cabeza redonda)
- 1 - Instrucciones para instalación
- 1 - Garantía



SELECCIÓN DE LA CENTRALITA EXTERNA O INLINE

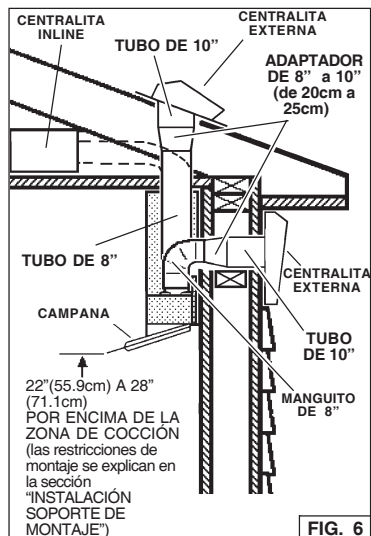
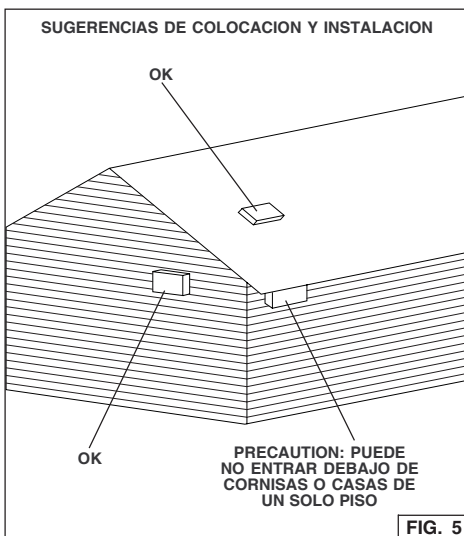
ATENCIÓN: para reducir el riesgo de incendio o de descargas eléctricas, instale esta campana sólo con centralita externa mod. EB6, EB9, EB12 o EB15, o centralita In-Line mod. ILB3, ILB6, ILB9 o ILB11.

La centralita tiene que estar incluida en la lista **UL** para el uso en Canadá y **USA** y tiene que ser evaluada la utilización con "dispositivo de control de la velocidad" en el estado sólido y los datos de su placa son 120 V, 60 Hz, 6.0 A máx.

INSTALACION DEL TUBO DE EXTRACCION

NOTA: Para reducir al riesgo de incendios, use únicamente conductores de metal.

1. Escoja la posición donde hay que colocar la centralita externa. Ver las ilustraciones de abajo, con las sugerencias de colocación, de instalación y las restricciones.
2. Un tubo corto y recto permite que la campana extractora funcione mejor.
3. Tubos de salida demasiado largos, codos y transiciones reducen la funcionalidad de la campana extractora. Úselos lo menos posible. Conductores más anchos pueden ser necesarios para un mejor funcionamiento de los tubos largos.
4. Después de que se instaló la centralita externa, conecten los tubos metálicos circulares y trabaje al contrario hacia la posición de la campana. Use cinta adhesiva para cerrar herméticamente las uniones entre las secciones del conducto.
5. Por las centralitas externas, es necesario usar un adaptador circular de 8" a 10" (Modelo 414). Para un mejor funcionamiento, instale el adaptador lo más cerca posible de la campana extractora.
6. Ver las instrucciones de la centralita In-Line por el tubo y l'adaptador necesarios.



INSTALACION ELECTRICA

⚠ PRECAUCIÓN : Toda la instalación eléctrica tiene que ser realizada exclusivamente por personal preparado y a norma con los estándares y las reglas establecidas. Esta campana tiene que ser instalada correctamente.

No encienda la campana hasta que todos los cables estén instalados.

Conexión del ventilador a la campana:

1. Conectar los conectores (dos hilos + hilo de tierra) desde el ventilador a la caja de cables de la campana donde esta indicado "motor connection". Fig.7
2. Quite la cubierta de la caja de cables y quite un *knockout*. Fig.7
3. Fije el "conduit" a la caja de cables por medio de un conector idóneo para el "conduit". Fig.7
4. Efectúe las conexiones eléctricas a la campana. Conecte el cable blanco con el blanco, **el rojo con el negro** y el verde con la toma de tierra. Fig.7
5. Tape la caja de los cables y atornillela. Asegúrese de que los cables no se queden pillados entre la cubierta y la caja.

Conexión de la centralita externa o In-Line:

1. Efectúe las conexiones eléctricas a la centralita externa o In-Line (véanse las instrucciones que se entregan con la centralita).

Conexión de la corriente a la campana :

1. Conectar los conectores de alimentación con la caja de cables de la campana indicada "120VAC input". Fig.8.
2. Quite la tapa de la caja de cables y quite un Knockout. Fig. 8
3. Fije el "conduit" a la caja de cables por medio de un conector idóneo para el "conduit". Fig.8
4. Efectúe las conexiones a la campana. Conecte el cable blanco con el blanco, **el negro con el negro** y verde a la toma de tierra. Fig.8
5. Tape la caja de los cables y atornillela. Asegúrese de que los cables no se queden pillados entre la cubierta y la caja.

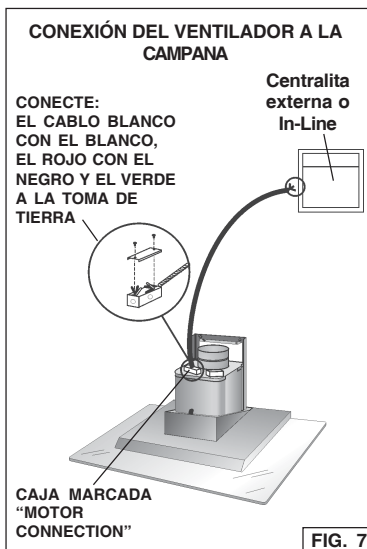


FIG. 7

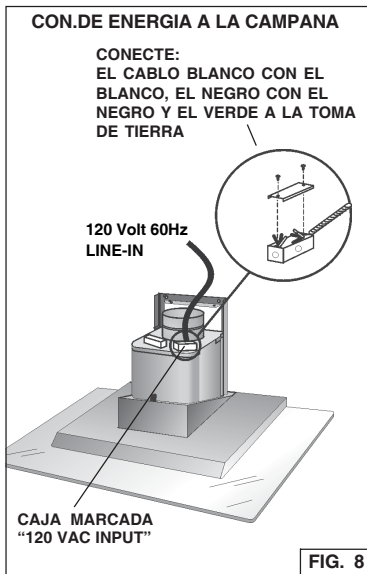


FIG. 8

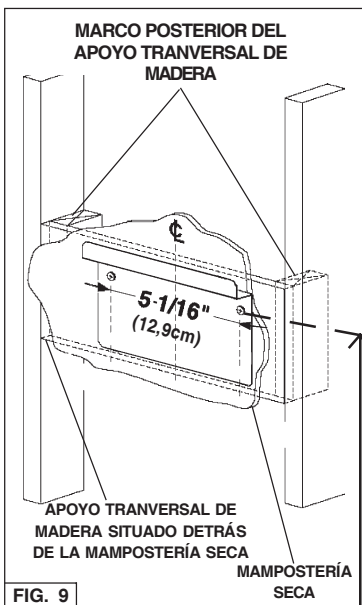
INSTALACION SOPORTE DE MONTAJE

1. Construya una **estructura de madera** en la pared que quedará nivelada con la parte interior de los tacos en la pared. Fig.9.

Asegúrese de que:

- La estructura se encuentra centrada por encima de la instalación del tubo.
- La altura de la estructura permite fijar el **soporte** de montaje en esta estructura siguiendo las dimensiones indicadas.

2. **Una vez acabada la superficie de la pared**, fije la brida de soporte al marco con dos tornillos de montaje de 4.8 x 38 mm. Determine en la tabla siguiente la posición del soporte de montaje.



ALTURA DEL TECHO	DISTANCIA DE LA CAMPANA POR ENCIMA DE 36" SOBRE LA SUPERFICIE DE LA COCINA (VÉASE LA NOTA a)						
	22"	23"	24"	25"	26"	27"	28"
	UBICACIÓN DEL SOPORTE DE MONTAJE POR ENCIMA DE 36" SOBRE LA SUPERFICIE DE LA COCINA						
8-FOOT	41-1/4"	42-1/4"	43-1/4"	44-1/4"			
9-FOOT	41-1/4"	42-1/4"	43-1/4"	44-1/4"	45-1/4"	46-1/4"	47-1/4"
10- FOOT (véase la nota b)	41-1/4"	42-1/4"	43-1/4"	44-1/4"	45-1/4"	46-1/4"	47-1/4"

Notas:

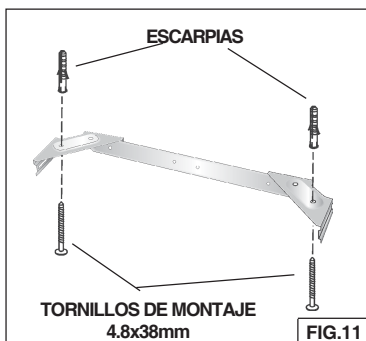
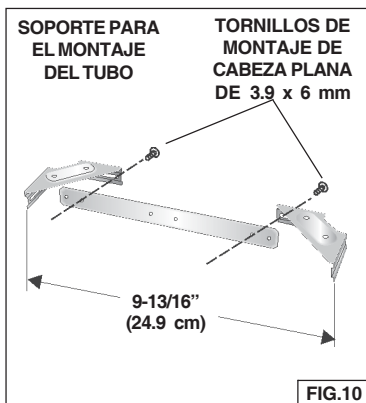
a. La distancia mínima de la campana por encima de la encimera debe ser de 22" como mínimo.

Para capturar óptimamente las impurezas de cocción, se recomienda una altura máxima de 28" sobre la encimera. Si la altura del techo y la longitud de la chimenea lo permiten, se puede aplicar una distancia superior a 28" a discreción del instalador y el usuario.

b. Precisa una extensión de chimenea adicional de 10', modelo con conducto AEWC26xB.

INSTALACIÓN DEL SOPORTE PARA EL MONTAJE DEL TUBO

1. Ensamble el soporte para el montaje del tubo, ajustando el ancho exterior tal como se muestra. Fig. 10.
2. Centre **cuidadosamente** el soporte para el montaje del tubo directamente sobre la ubicación de la campana de la cocina.
3. Asegure el soporte al techo utilizando (2) tornillos de montaje de 4.8 x 38 mm y escarpías (Fig. 11). Asegúrese de que el soporte está apretado contra el muro contiguo y centrado sobre la campana.

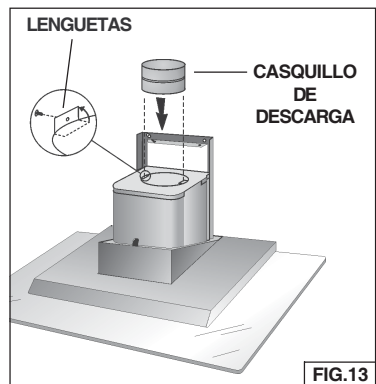
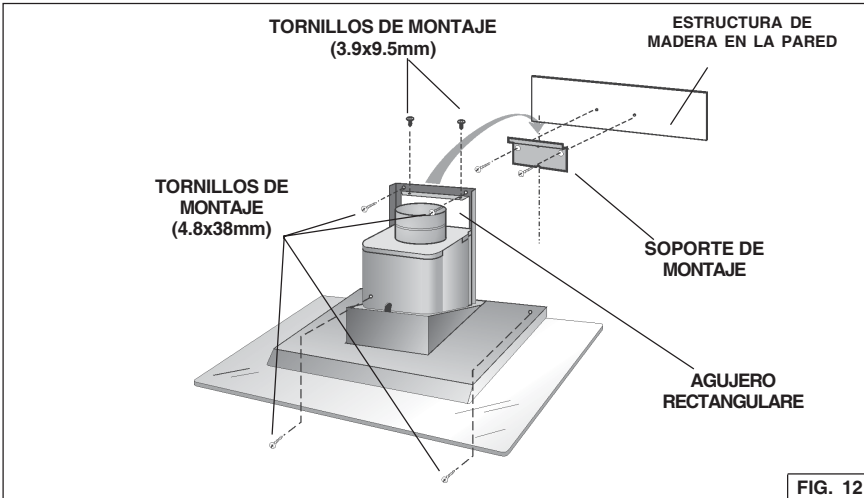


INSTALACIÓN DE LA CAMPANA

Nota: En campanas de acero inoxidable, antes de llevar a cabo la instalación final, retire cuidadosamente la película protectora de plástico de todas las superficies exteriores de la campana y del tubo decorativo.

Nota: se necesitan al menos dos personas para montar la campana.

1. Levante la campana en su posición de montaje.
2. Alinee la abertura rectangular de la parte posterior de la campana con el soporte de montaje de la pared. Baje suavemente la campana hasta que encaje correctamente en el soporte. Fig. 12.
3. Nivele la campana con (2) tornillos de montaje de 3.9 x 9.5 mm y fíjela con (4) tornillos de montaje de 4.8 x 38 mm. Si no dispone de tachones de pared ni de marcos, utilice los soportes de muro de mampostería sin mortero suministrados. Fig. 12.
4. Instale el cosquillo de descarga dentro a las lengüetas y sujételas con (2) tornillos de 3.9 x 9.5 (Fig. 13).
5. Fije un conducto metálico redondo de 8" entre el casquillo de descarga de la campana y el conducto de evacuación a la centralita.
6. Encinte todas las uniones de los conductos para fijarlos y estanqueizarlos.
7. Conecte el cable de alimentación al receptáculo eléctrico de la pared. Coloque el cable restante detrás del tubo decorativo.



INSTALACIÓN DE LA CAM-PANA, (cont)

7. Coloque con cuidado la chimenea decorativa sobre la campana. Fig. 14.

SALAS CON TECHOS DE 10 PIES

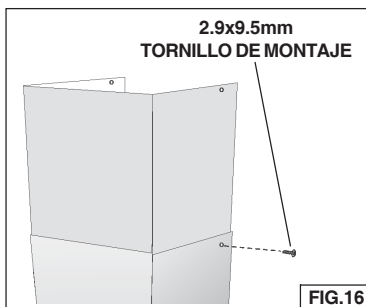
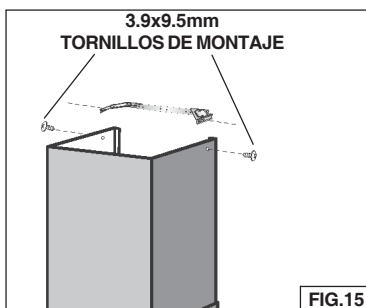
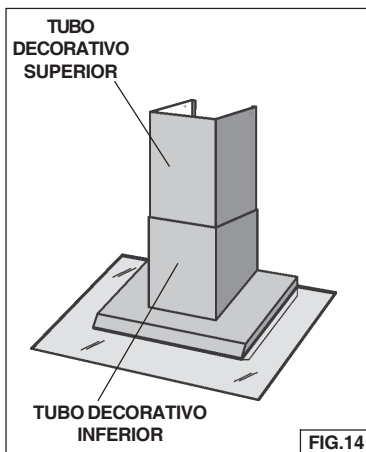
Las salas con techos de 10 pies precisan la extensión del tubo modelo AEWC26xB, disponibles en su distribuidor local.

8. Deseche el tubo superior suministrado con el producto. Sustitúyalo por la extensión del tubo.

9. Levante el tubo superior hasta que sus orificios queden alineados con el soporte para el montaje del tubo (situado en el techo). Fig. 15.

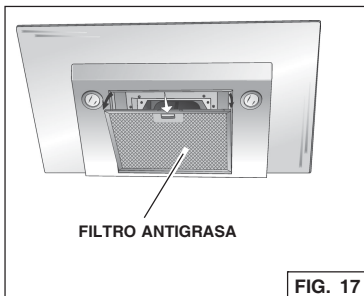
10. Fije el tubo con (2) tornillos de montaje de 3.9 x 9.5 mm. Fig. 15.

11. Asegúre el tubo decorativo inferior al tubo decorativo superior con el tornillo de montaje (2.9x9.5mm). Taladre el agujero (D. 1/16", 2mm) en el tubo decorativo superior (Fig. 16).



INSTALACIÓN DE LOS FILTROS

1. Para desmontar el filtro ANTIGRASA, agarre la pestaña del cierre y tire hacia abajo. Así se soltará el filtro de la campana. Inclíne el filtro hacia abajo y retírelo. Fig. 17.
2. Para instalar el filtro ANTIGRASA, alinee las pestañas traseras del filtro con las ranuras de la campana. Tire hacia abajo de la pestaña de cierre, empuje el filtro a su posición y suéltela. Una vez colocado, compruebe que el filtro queda bien engranado. Fig.17.



NOTA: Antes de utilizarlo, retire el plástico de protección del marco del filtro.

GARANTIA

GARANTIA BROAN POR UN AÑO

Broan garantiza al consumidor-comprador de sus productos que dichos productos no tendrán defectos en los materiales o fabricación, durante un periodo de un año a partir de la fecha de la compra. NO HAY OTRO TIPO DE GARANTIAS QUE INCLUYAN O SE LIMITEN EXCLUSIVAMENTE A GARANTIAS IMPLÍCITAS O DE CAPACIDAD COMERCIAL O CONVENIENCIA PARA UN PROPOSITO ESPECIFICO.

Durante el periodo de un año, Broan, si lo estima conveniente, reparará o reemplazará sin gastos para el usuario cualquier producto o parte de éste que sea defectuosos habiéndose usado correctamente. ESTA GARANTIA NO CUBRE: ESTARTER DE NEON, NEON, LÁMPARAS HALÓGENAS, LÁMPARAS DE ILUMINACIÓN. Tampoco cubre el mantenimiento ni los productos o partes de éstos que hayan sido usados de forma incorrecta, con negligencia, rotos accidentalmente o por una incorrecta manutención ó reparación (distinta da la realizada por Broan), montaje incorrecto ó instalación que no se ajuste a las instrucciones de montaje indicadas. Le duración de la garantía se limita al periodo de un año como está especificado en la garantía explicita. Algunos países no permiten un limite en la duración de la garantía implicita; si es así en su caso, esta limitación arriba indicada podría no aplicarse.

LA PRESENTE GARANTIA CUBRIRA EXCLUSIVAMENTE AL COMPRADOR LOS SERVICIOS DESCRITOS ANTERIORMENTE. BROAN NO SE HACE RESPONSABLE DE DANOS PRODUCIDOS DE MANERA ACCIDENTAL O RELACIONADOS CON EL USO INCORRECTO DEL PRODUCTO O SU FUNCIONAMIENTO.

Algunos países no permiten la exclusión o limitación de los daños producidos de manera accidental, si es así en su caso, esta limitación arriba indicada podría no aplicarse. Esta garantía le da derechos legales específicos y podría también disponer de otros derechos que varían de país a país. Esta garantía supera otras garantías dadas con anterioridad. Para disfrutar de la garantía usted deberá a) Avisar a la dirección abajo indicada ó bien llamar por teléfono al número 1-800-637-1453 b) Dar el número de serie del modelo correspondiente o bien una descripción de la parte averiada, c) Descripción del defecto en el producto o bien en una de sus partes. Para requerir un servicio en garantía debe presentar el justificante con la fecha de la compra.

BEST BY BROAN, P.O. Box 140 Hartford, Wisconsin 53027

SERVICE PARTS

MODEL WC26E

KEY NO.	PART NO.	DESCRIPTION
7	BE3348101	Filter Support
9	B08087169	Grease Filter
19	B03295005	Transformer Protection
26	B02300891	Halogen Lamp Bulb
37	B02300804	Heat Sentry
39	B03294033	Electrical Box Cover
57	BE3300527	Damper Flap
62	BE3404031	Support Blower Box
62	B08091602	Blower Box
76	B02005084	Glass (36" models)
76	B02005095	Glass (42" models)
76	B02005096	Glass (48" models)
86	B08088242	Discharge Collar
110	B02000509	Gasket
112	BE3401480	Triac Protection
113	B02011284	Nameplate
115	BE3334250	Wiring Box
116	BE3334252	Wiring Box Cover
118	BE3348104	Decorative Flue Bottom (steel models)
118	B03159012	Decorative Flue Bottom (copper models)
119	BE3348345	Decorative FlueTop (steel models)
119	B03159018	Decorative FlueTop (copper models)
120	B08091335	Flue Mounting Bracket
144	B03292287	Wire Clamp
165	B03294781	Electrical Box
166	B08086718	Wiring Board
196	B03294811	Light Support
208	B02300783	Transformer
223	B03294171	Switch Button
228	B08086292	Controls Board
229	B03294173	Warning lamp
230	B03294174	Controls Box Cover
234	B03293009	Controls Box
235	BE3348099	Controls Support
263	B08092371	Electrical Box Support
332	BE3345328	Cover
472	B03118136	Led Support
474	B02300802	Halogen Lamp Housing
477	B03295006	Transformer Protection Cover
998	B080810747	Hardware Package
*	B06108502	Switch Assembly (Includes Key Nos. 223, 228, 230, 234, 235)
-	B02300782	Fuse
-	B02300674	Fuse holder

* Not shown assembled.

LISTE PIECES DE RECHANGE

MODELE WC26E

KEY NO.	PART NO.	DESCRIPTION
7	BE3348101	Support filtre
9	B08087169	Filtre anti-graisse
19	B03295005	Protection transformateur
26	B02300891	Lampe halogène
37	B02300804	Capteur
39	B03294033	Couvercle boîte installation électrique
57	BE3300527	Clapet anti-retour
62	BE3404031	Boîte support moteur
62	B08091602	Boîte moteur
76	B02005084	Verre (modèles 36")
76	B02005095	Verre (modèles 42")
76	B02005096	Verre (modèles 48")
86	B08088242	Collier d'évacuation
110	B02000509	Garniture
112	BE3401480	Protection triac
113	B02011284	Plaquette logo
115	BE3334250	Boîte de connexion électrique
116	BE3334252	Couvercle boîte de connexion électrique
118	BE3348104	Conduit décoratif inférieur (modèles acier)
118	B03159012	Conduit décoratif inférieur (modèles cuivre)
119	BE3348345	Conduit décoratif supérieur (modèles acier)
119	B03159018	Conduit décoratif supérieur (modèles cuivre)
120	B08091335	Etrier de support
144	B03292287	Serre câble
165	B03294781	Boîte installation électrique
166	B08086718	Circuit imprimé installation électrique
196	B03294811	Support lumière
208	B02300783	Transformateur
223	B03294171	Bouton
228	B08086292	Circuits commandes
229	B03294173	Lampe témoin
230	B03294174	Couvercle boîte commandes
234	B03293009	Boîte commandes
235	BE3348099	Support commandes
263	B08092371	Plaque de l'installation électrique
332	BE3345328	Bouchon
472	B03118136	Support LED
474	B02300802	Boîte lampe halogène
477	B03295006	Protection transformateur
998	B080810747	Accessoires de fixation
*	B06108502	Ensemble commandes (Comprenant n. 223, 228, 230, 234, 235)
-	B02300782	Fusible
-	B02300674	Porte-fusible

* Illustrées separement.

LISTA DE PIEZAS DE RECAMBIO

MODELO WC26E

KEY NO.	PART NO.	DESCRIPTION
7	BE3348101	Soporte filtro
9	B08087169	Filtro antigrasa
19	B03295005	Protección transformador
26	B02300891	Lámpara halógena
37	B02300807	Sensor
39	B03294033	Tapa de la caja base de instalación eléctrica
57	BE3300527	Válvula de no retorno
62	BE3404031	Soporte caja motor
62	B08091602	Caja motor
76	B02005084	Cristal (modelos 36")
76	B02005095	Cristal (modelos 42")
76	B02005096	Cristal (modelos 48")
86	B08088242	Casquillo
110	B02000509	Guarnición
112	BE3401480	Protección triac
113	B02011284	Placa marca
115	BE3334250	Caja de conexión eléctrica
116	BE3334252	Tapa de la caja de conexión eléctrica
118	BE3348104	Tubo decorativo inferior (modelos acero)
118	B03159012	Tubo decorativo inferior (modelos cobre)
119	BE3348345	Tubo decorativo superior (modelos acero)
119	B03159018	Tubo decorativo superior (modelos cobre)
120	B08091335	Soporte de montaje del tubo
144	B03292287	Sujeta cables
165	B03294781	Caja base de instalación eléctrica
166	B08086718	Base para instalación eléctrica
196	B03294811	Soporte luz
208	B02300783	Transformador
223	B03294171	Mando
228	B08086292	Base de los mandos
229	B03294173	Piloto
230	B03294174	Tapa de la caja mandos
234	B03293009	Caja de los mandos
235	BE3348099	Soporte mandos
263	B8092371	Placa del sistema eléctrico
332	BE3345328	Tapa
472	B03118136	Soporte Led
474	B02300802	Caja de la lámpara halógena
477	B03295006	Tapa protección transformador
998	B080810747	Accesorios para el montaje
*	B06108502	Conjunto mandos (Incluye los N. 223, 228, 230, 234, 235)
-	B02300782	Fusible
-	B02300674	Portafusible

* Se encuentran por separado.

SERVICE PARTS - LISTE PIECES DE RECHANGE - LISTA DE PIEZAS DE RECAMBIO

MODEL WC26E

